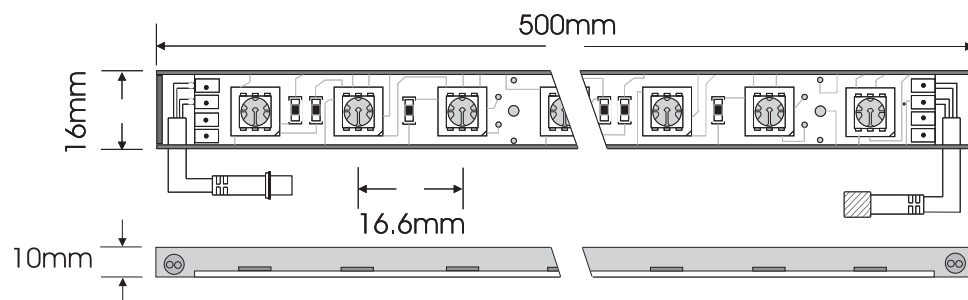
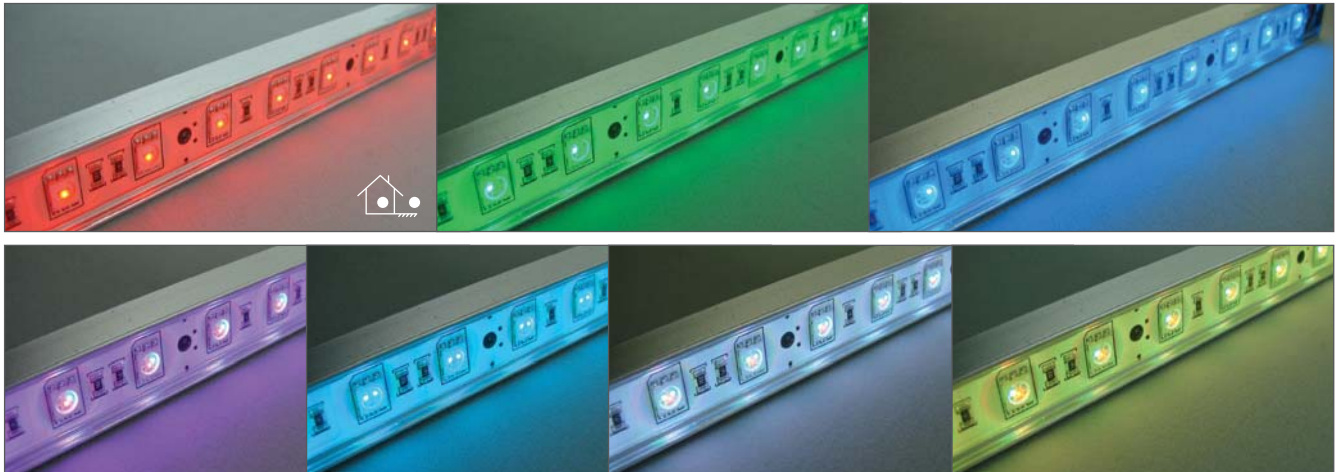


# EVAQB500RGB



Order Code: **20076**

Product Code: **EVAQB500RGB**

Colour: **RGB** 

Description: Weatherproof IP67 Aqua Bar, anodised aluminium extruded light bar. Designed for wet areas applications with unique linkable weatherproof cable connections. At 500mm in length, mounting clips provided, 125lm, entry and exit wiring supplied.

Data: SMD 5060 LED, 30 LEDs per 500mm, 12V DC, 7.2W, 0.6A per 500mm, 120° beam spread.

Size: (W) 16mm x (H) 10mm x (L) 500mm

Mounting type: Surface mounting

Requires: Constant Voltage 12V DC LED driver located in the power supply section of the catalogue and a colour controller (Chameleon) located in the controller section of this catalogue.

125 Lumens	Parallel wiring	7.2W per 0.5 metre	30 LEDs per 0.5 metre	120° beam spread	12V DC	Requires colour controller	IP67
------------	-----------------	--------------------	-----------------------	------------------	--------	----------------------------	------

**Domus Lighting**

29-31 Richland Street Kingsgrove NSW 2208

Phone: (02) 9554 9600 | Fax: (02) 9554 9433 | Email: [sales@domuslighting.com](mailto:sales@domuslighting.com)