

# EV-FUSION-2

## LED Inground Lights

### Technical data sheet

#### DESCRIPTION

The FUSION-2 is a newly introduced item that replaces its predecessor the FUSION. The FUSION-2, now boasts an amazing lumen package and features not seen by others of similar sizing and specifications. The light source is powered from 24 x 1W CREE LEDs, a well known and recognised brand when talking about LEDs. Incorporating a 316 stainless steel fascia, tempered glass suitable for drive over, aluminium cast body with integral heat transfer system and a special polyester powder coated finish for added durability. A super slim mounting depth with matching polycarbonate housing for concrete installations. Integral LED driver for direct 240VAC connection.

The FUSION-2 is the perfect luminaire for up-lighting exterior facades, feature walls, columns and trees in commercial spaces. Areas of application include parkland landscaping, shopping centres, commercial buildings and the like.




#### SPECIFICATION FEATURES

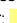
**Power:** 24 x 1W CREE LED  
**Beam Angle:** 40°  
**Colour Range:** W / WW  
**Materials:** 316 stainless steel front fascia  
**Glass:** Tempered Lens  
**Size:** Ø248mm x 55mm  
**Polycarbonate Housing:** height 100mm  
**IP Rated:** IP65  
**Lifetime:** 50 000 hours  
**Warranty:** 3 years  
**Impact Resistant:** IK10  
**Drive Over:** 2000KGs  
**Driver:** Integral LED driver 240V AC input



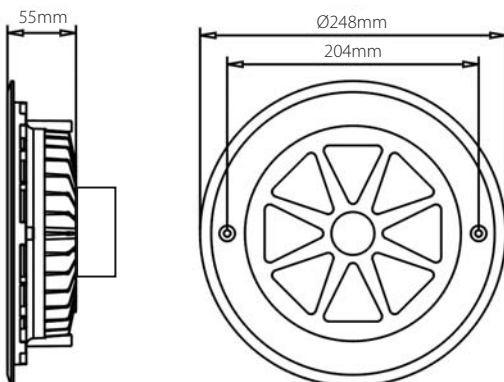
IP65 

#### PRODUCT CODES

**Product code:** EV-FUSION-2-W  
**Order code:** 21830  
**Colour:**  White LED 6400K

**Product code:** EV-FUSION-2-WW  
**Order code:** 21831  
**Colour:**  Warm White LED 3200K

#### DIAGRAMS / ADDITIONAL



Polycarbonate Housing (height 100mm)

