

EV-DLK-13-W

Mono Lens Downlight

Technical data sheet



DESCRIPTION

The NEW DLK-13 range of LED down lights are designed for retro fit or new installations. This is the perfect one to one replacement for traditional halogen lamps.

Using a contemporary satin white adjustable frame with a special adaptor ring makes this down light fit into cutouts as small as Ø80mm through to Ø90mm. The DLK incorporates the latest Sharp COB (Chip on board) which is then matched with a specifically designed heat sink to disperse heat from the LED.

All this is then matched perfectly with a fully mains dimmable LED driver complete with a flex and plug for easy installation.

SPECIFICATION FEATURES

- Wattage:** 13W + driver
- LED:** 13W DLK LED lamp
- Colour / lm:** White (5000K) 1095lm | Warm White (3000K) 1045lm
- Efficacy:** White 73lm/W | Warm White 69.7lm/w
- Light quality (CRI):** >83
- Beam angle:** 60°
- IP rating:** IP20
- Lifetime:** 50 000hrs
- Input Voltage:** 100-265V AC
- Gimble:** ±15°
- Dimmable:** Yes, on most dimmers (including C-Bus)
- Adaptor ring:** yes (to suit 90mm hole)
- Operating Temp:** -20° to 65°
- IES Files:** Upon request
- Warranty:** 3 Year Replacement



Product code: EV-DLK13-W-WW

Order code: 20500

Colour: Satin white | Warm White 3000K



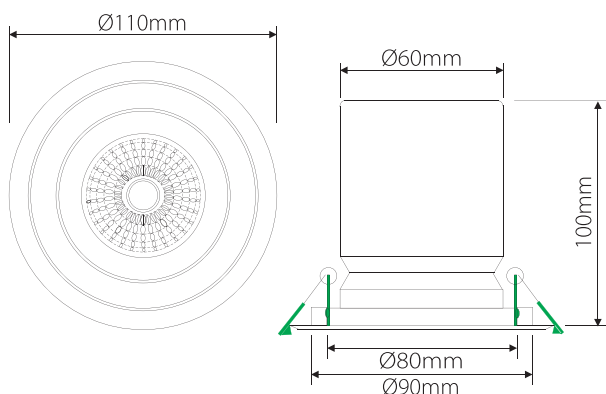
Product code: EV-DLK13-W-W

Order code: 20501

Colour: Satin White | White 5000k



DIAGRAMS



Warm White 3000K



White 5000K

EV-DLK-13-S

Mono Lens Downlight

Technical data sheet



DESCRIPTION

The NEW DLK-13 range of LED down lights are designed for retro fit or new installations. This is the perfect one to one replacement for traditional halogen lamps.

Using a contemporary silver adjustable frame with a special adaptor ring makes this down light fit into cutouts as small as Ø80mm through to Ø90mm. The DLK incorporates the latest Sharp COB (Chip on board) which is then matched with a specifically designed heat sink to disperse heat from the LED.

All this is then matched perfectly with a fully mains dimmable LED driver complete with a flex and plug for easy installation.

SPECIFICATION FEATURES

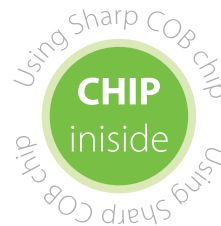
Wattage: 13W + driver
LED: 13W DLK LED lamp
Colour / lm: White (5000K) 1095lm | Warm White (3000K) 1045lm
Efficacy: White 73lm/W | Warm White 69.7lm/w
Light quality (CRI): >83
Beam angle: 60°
IP rating: IP20
Lifetime: 50 000hrs
Input Voltage: 100-265V AC
Gimble: ±15°
Dimmable: Yes, on most dimmers (including C-Bus)
Adaptor ring: yes (to suit 90mm hole)
Operating Temp: -20° to 65°
IES Files: Upon request
Warranty: 3 Year Replacement



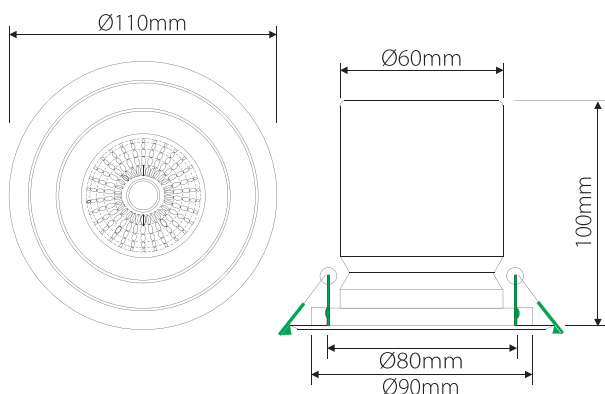
Product code: EV-DLK13-S-WW
Order code: 20502
Colour: Silver | Warm White 3000K



Product code: EV-DLK13-S-W
Order code: 20503
Colour: Silver | White 5000k



DIAGRAMS



Warm White 3000K



White 5000K