

# EV-DLK-10-W

## Mono Lens Downlight

### Technical data sheet



### DESCRIPTION

The NEW DLK-10 range of LED down lights are designed for retro fit or new installations.

Using a contemporary satin white adjustable frame with a special adaptor ring makes the down light fit into cutouts as small as Ø70mm through to Ø90mm cutouts.

The DLK incorporates the latest Sharp COB (Chip on board) which is then matched with a specifically designed heat sink to disburse heat from the LED. All this is then perfectly matched with a fully mains dimmable LED driver complete with a flex and plug for easy installation.

### SPECIFICATION FEATURES

- Wattage:** 10W + driver
- LED:** 10W DLK LED lamp
- Colour / lm:** White (5000K) 780lm | Warm White (3000K) 650lm
- Efficacy:** White 69lm/W | Warm White 57lm/w
- Light quality (CRI):** >83
- Beam angle:** 60°
- IP rating:** IP20
- Lifetime:** 50 000hrs
- Input Voltage:** 100-265V AC
- Gimble:** ±15°
- Dimmable:** Yes, on most dimmers (including C-Bus)
- Adaptor ring:** yes
- Operating Temp:** -20° to 65°
- IES Files:** Upon request
- Warranty:** 3 Year Replacement



Product code: EV-DLK10-W-WW

Order code: 20496

Colour: Satin white | Warm White 3000K



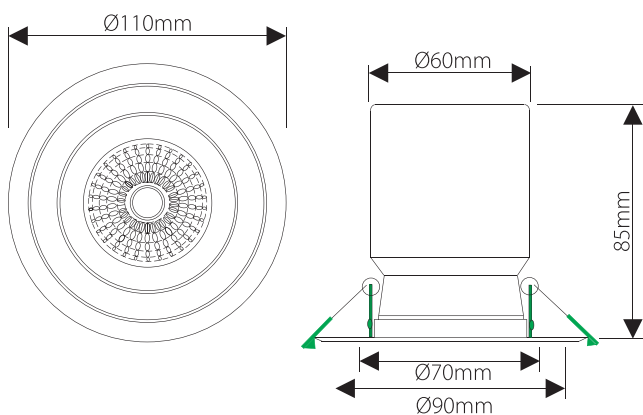
Product code: EV-DLK10-W-W

Order code: 20497

Colour: Satin White | White 5000K



### DIAGRAMS



Warm White 3000K



White 5000K

# EV-DLK-10-S

## Mono Lens Downlight

### Technical data sheet



### DESCRIPTION

The NEW DLK-10 range of LED down lights are designed for retro fit or new installations.

Using a contemporary silver adjustable frame with a special adaptor ring makes the down light fit into cutouts as small as Ø70mm through to Ø90mm cutouts.

The DLK incorporates the latest Sharp COB (Chip on board) which is then matched with a specifically designed heat sink to disburse heat from the LED. All this is then perfectly matched with a fully mains dimmable LED driver complete with a flex and plug for easy installation.



### SPECIFICATION FEATURES

- Wattage:** 10W + driver
- LED:** 10W DLK LED lamp
- Colour / lm:** White (5000K) 780lm | Warm White (3000K) 650lm
- Efficacy:** White 69lm/W | Warm White 57lm/w
- Light quality (CRI):** >83
- Beam angle:** 60°
- IP rating:** IP20
- Lifetime:** 50 000hrs
- Input Voltage:** 100-265V AC
- Gimble:** ±15°
- Dimmable:** Yes, on most dimmers (including C-Bus)
- Adaptor ring:** yes
- Operating Temp:** -20° to 65°
- IES Files:** Upon request
- Warranty:** 3 Year Replacement

Product code: EV-DLK10-S-WW

Order code: 20498

Colour: Satin white | Warm White 3000K



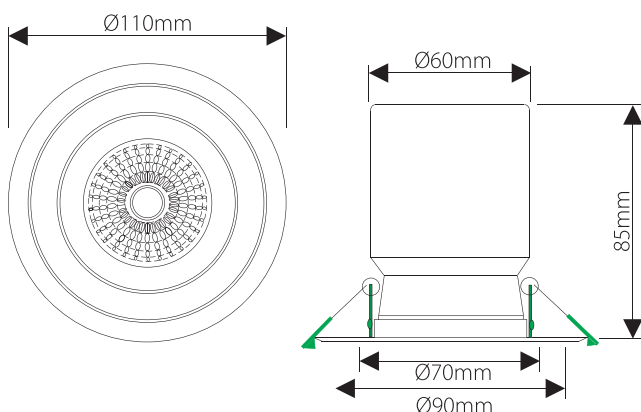
Product code: EV-DLK10-S-W

Order code: 20499

Colour: Satin White | White 5000k



### DIAGRAMS



Warm White 3000K



White 5000K