

EV-DEEP-90

Deepset Downlight

Technical Data Sheet



DESCRIPTION

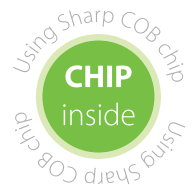
Domus Lighting is pleased to announce the arrival of the **Deep 90** range of LED downlights. The **Deep 90** has been designed as a contemporary downlight suitable for applications such as residential housing, hotel and commercial projects.

Ultra slim outer trim and deep anti-glare baffle gives this fitting that architectural look. Tilt adjustable lamp adds to its flexibility. Utilising world leading SHARP COB LED technology and a mains dimmable LED driver gives this downlight unsurpassed performance not seen by others.



SPECIFICATION FEATURES

- Wattage:** 13W + driver
- LED:** 13W Sharp LED lamp
- Colour/lm:** Warm White (3000K) 1045lm
White (5000K) 1095lm
- Efficacy:** Warm White 69.7lm/W
White 73lm/W
- Light quality (CRI):** >83
- Beam angle:** 60°
- IP rating:** IP20
- Lifetime:** 50 000hrs
- Input Voltage:** 100-265V AC
- Gimble:** ±15°
- Dimmable:** Yes, on most dimmers (including C-Bus)
- Adaptor ring:** Yes
- Operating Temp:** -20° to 65°
- IES Files:** Upon request
- Replacement Warranty:** 3 Years

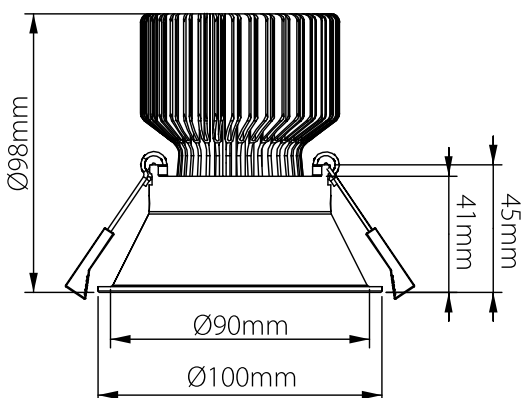


PRODUCT CODES

Product code: EV-DEEP-90-W-WW
Order code: 20552
Colour: Satin White Trim
 Warm White LED 3000K

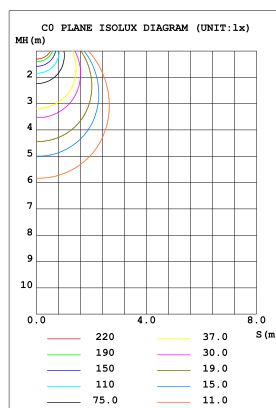
Product code: EV-DEEP-90-W-W
Order code: 20553
Colour: Satin White Trim
 White LED 5000K

DIAGRAMS / ADDITIONAL



Cutout: Ø90mm

Warm White (3000K)



White (5000K)

