

EV-DEEP-75

Deepset Downlight

Technical Data Sheet



DESCRIPTION

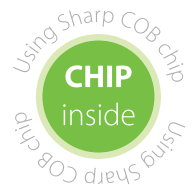
Domus Lighting is pleased to announce the arrival of the **Deep 75** range of LED downlights. The **Deep 75** has been designed as a contemporary downlight suitable for applications such as residential housing, hotel and commercial projects.

Ultra slim outer trim and deep anti-glare baffle gives this fitting that architectural look. Utilising world leading SHARP COB LED technology and a mains dimmable LED driver gives this downlight unsurpassed performance not seen by others.



SPECIFICATION FEATURES

Wattage: 10W + driver
LED: 10W Sharp LED lamp
Colour/lm: Warm White (3000K) 650lm
 White (5000K) 780lm
Efficacy: Warm white 57lm/W, White 69lm/W
Light quality (CRI): >83
Beam angle: 60°
IP rating: IP20
Lifetime: 50 000hrs
Input Voltage: 100-265V AC
Dimmable: Yes, on most dimmers (including C-Bus)
Adaptor ring: Yes
Operating Temp: -20° to 65°
IES Files: Upon request
Replacement Warranty: 3 Years

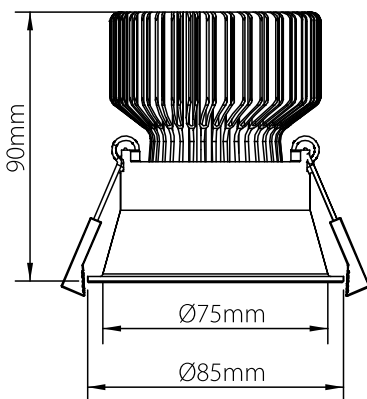


PRODUCT CODES

Product code: EV-DEEP-75-W-WW
Order code: 20550
Colour: Satin White Trim
 Warm White LED 3000K

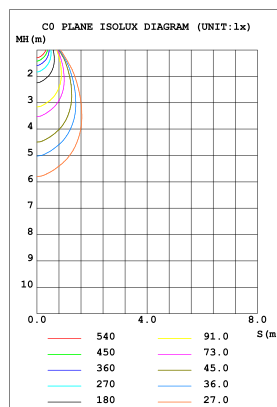
Product code: EV-DEEP-75-W-W
Order code: 20551
Colour: Satin White Trim
 White LED 5000K

DIAGRAMS / ADDITIONAL



Cutout: Ø75mm

Warm White (3000K)



White (5000K)

