

# Bobby-Bloc LED Profile

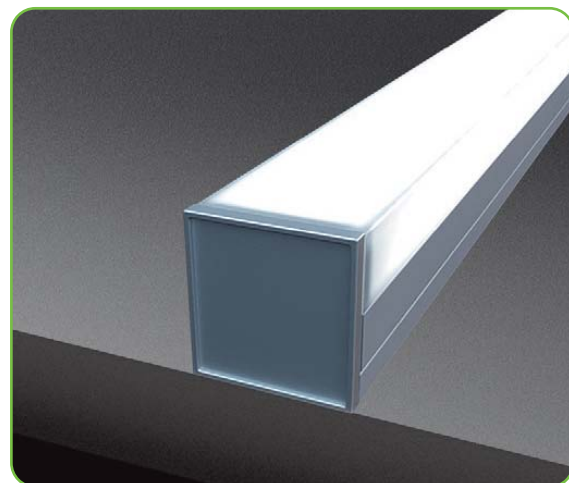
This LED profile can be used for many applications. Applications include wall mount, ceiling mount, under cupboard mount and also as a wire suspended pendant for over desk or bench top applications. Natural anodised aluminium finish, 6063 grade aluminium, hidden screw mounting, complete with a square PMMA matt opal diffuser. Maximum continuous length = 2.5mtrs.

Order code: 22010  
Product code: EV-EXT201  
Size: (W) 19.5mm x (H) 19.8mm (L) 2500mm maximum length (sold per mtr)

Order code: 22011  
Product code: EV-EXT201-CAP  
Description: Square end cap to suit EV-EXT201 LED profile.

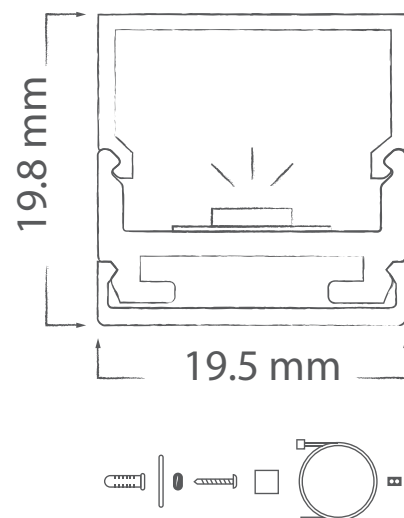
Colour: Silver  
Order code: 22041  
Product code: EV-EXT-SUSPENSION  
Description: Stainless steel wire suspension (2mtr) to suit above LED profile.

Special: Special custom powder coated colours available upon request.

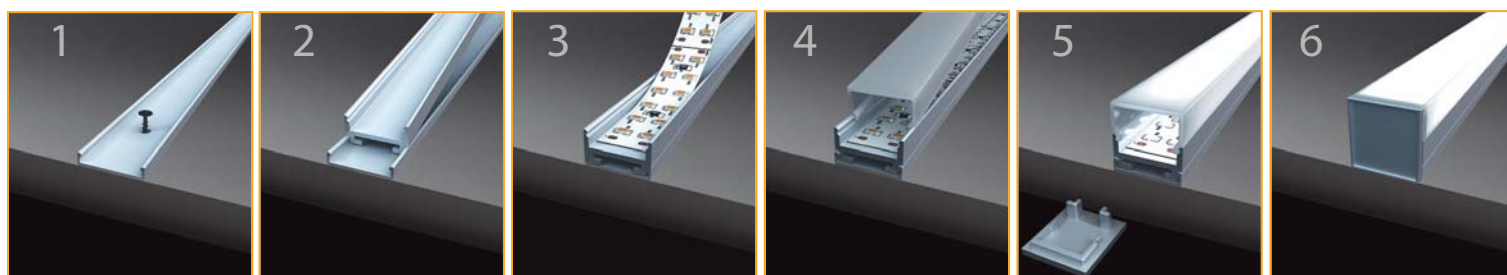


## Compatible LED strips:

Flexi Strip 60	Flexi Strip 90	Flexi Strip 120	Flexi Strip 240	Flexi Strip RGB
W	W	W	W	30
NW	NW	NW	NW	60
WW	WW	WW	WW	Digital
R	B			AWB
G				
B				
A				



## Installation Process:



Domus Lighting

29-31 Richland Street Kingsgrove NSW 2208

Phone: (02) 9554 9600 | Fax: (02) 9554 9433 | Email: sales@domuslighting.com