

ZEKE-PRO-5-12/24V-SQR 12V/24V LED Steplight



Description

The ZEKE-PRO-4 is a round or square surface mounted LED wall or step light and features a slimline, cast-aluminium body and TPS cable gland for easy installation. Perfect for low level pathway lighting and particularly useful for external pathways and steps or any area in which recessed mounting is not an option. The aluminium trim features a special chromate process before a polyester powder coated finish is applied, for extended wear in external environments. With an IP65 rating, the ZEKE-PRO-4 features amazing downward illumination while consuming a minimal power consumption of 4W. Tri-colour switchable, choose from 3000K, 4000K or 5000K colour temperature options. Available in mains power 240V or 12/24V DC, which allows for outdoor applications such as planter boxes and front wall installations, where low voltage wiring has been used. The ZEKE-PRO-4 is also backed by our Three Year Replacement Warranty for peace of mind.

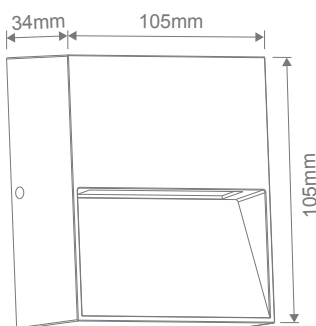
Specification Features

Input Voltage:	12/24V DC
Power (W):	5W
IP rating (IP):	65
Lumens (lm):	Warm White 3000K - 305lm Neutral White 4000K - 348lm White 5000K - 365lm
Beam Angle:	120°
LED type:	SMD
CCT:	3000K - 4000K - 5000K (Switchable)
CRI:	≥90
Dimmable:	Yes*
Lifespan (hrs):	50,000hrs
Requires:	12/24V DC Constant Voltage LED Driver - Wire in Pararell

*When used with a dimmable driver



Diagrams / Additional



Item No.	Variant	CCT
ZEKE-PRO-4-24V-SQR-WHT	10338	TRIO
ZEKE-PRO-4-24V-SQR-BLK	10337	TRIO