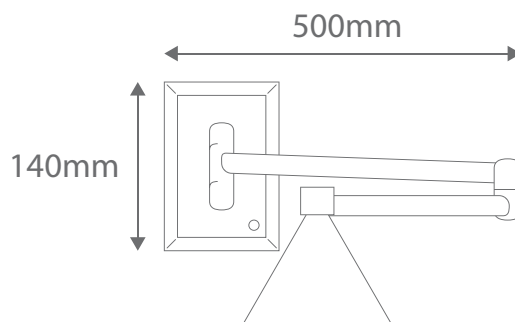


SW-762S



Low Voltage Double Swing Arm (With Switch)

Order Code:	18572	Black	1 x 50W QT12
	18573	Brass	1 x 50W QT12
	18574	Chrome	1 x 50W QT12
	18576	Satin Brass	1 x 50W QT12
	18577	Satin Chrome	1 x 50W QT12
	18578	White	1 x 50W QT12

Dimensions: Width 500mm
Height 140mm



Made in Australia

Requires: Remote transformer and lamp.

LED Option: LED 12V BI-PIN Lamp recommended.
Please refer to Lamps Section.

Spare Glass: **17595** LVG-5705 FRS

Product Code: **SW-762S**

Description: Double jointed arm complete with backplate, shade, switch and lamp holder.

Domus Lighting

29-31 Richland Street Kingsgrove NSW 2208

Phone: (02) 9554 9600 | Fax: (02) 9554 9433 | Email: sales@domuslighting.com