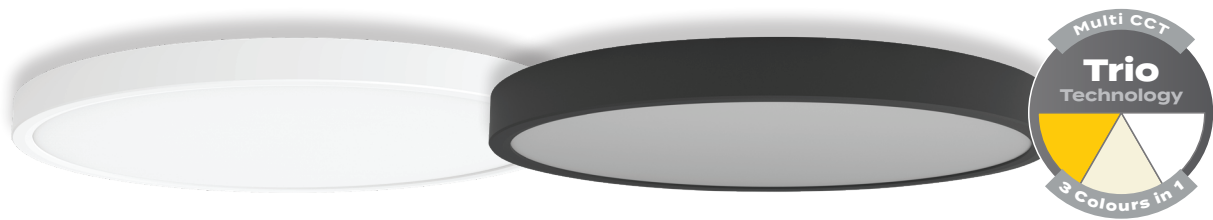


Slenda RND 400 LED Ceiling Light



Description

The SLENDA-RND series offers a sleek, ultra-thin, and unobtrusive round design, ideal for modern interiors. These surface-mounted LED ceiling lights deliver a wide 100° beam angle with uniform light distribution, powered by high-intensity Surface Mounted Diodes (SMDs). Crafted from durable polypropylene (PP) and polystyrene (PS), the SLENDA-RND is double insulated—perfect for installations without earth wiring. With an IP54 rating, it's well-suited for damp environments and coastal dwellings. Each model features TRIO technology, allowing users to select from multiple colour temperature outputs via a convenient dip switch located on the back of the fitting. Power-selectable settings can be adjusted during installation to reduce light intensity when desired. The lights include a dimmable driver (compatible with suitable dimmers) and are flicker-free, ensuring smooth performance even during video recording. Available in White and Black finishes, and in three sizes—250mm, 300mm, and 400mm—the SLENDA-RND range is backed by a Three-Year Commercial Replacement Warranty and a Five-Year Residential Warranty (refer to the Warranty Statement for details).



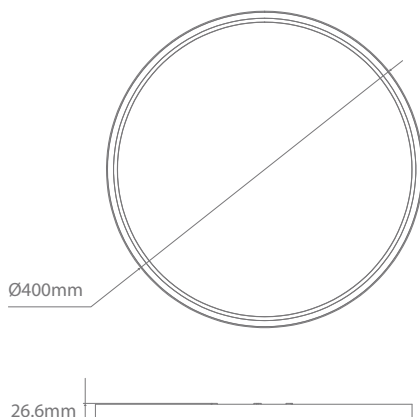
Specification Features

Input Voltage:	240V AC			
Power (W):	15W/24W (Switchable)			
IP rating (IP):	IP54			
Lumens (lm):	15W		24W	
Colour:	White	Black	White	Black
Warm White	3000K - 1814lm	3000K - 1701lm	3000K - 2551lm	3000K - 2456lm
Neutral White	4000K - 1893lm	4000K - 1781lm	4000K - 2738lm	4000K - 2596lm
White	5000K - 1844lm	5000K - 1695lm	5000K - 2614lm	5000K - 2469lm
LED type:	SMD			
CCT:	3000K - 4000K - 5000K (Switchable)			
CRI:	≥80			
Beam angle (°):	100°			
Dimmable:	Yes**			
Lifespan (hrs):	50,000hrs			
Warranty:	5 Year Residential* 3 Year Commercial*			

* See Warranty Statement for further details.

** Fully dimmable with suitable dimmers.

Diagrams / Additional



Item No.	Variant		CCT
	Wht	Blk	
SLENDA-RND-400	23306	23307	TRIO