

Lynx MED 1WB 240V Down Wall Light

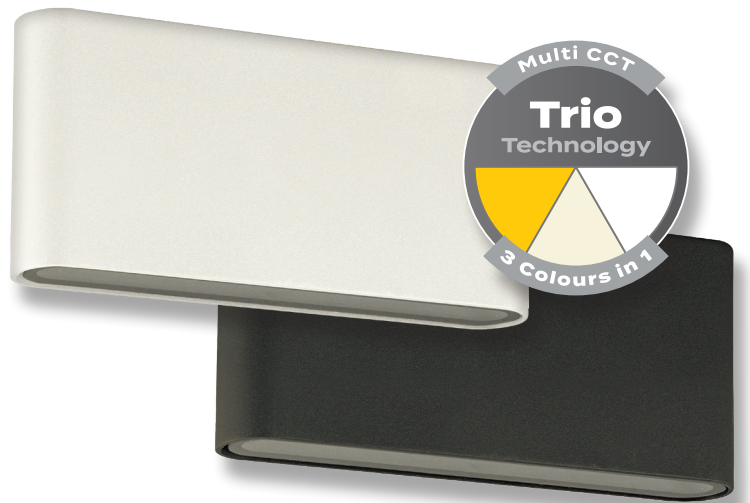


Description

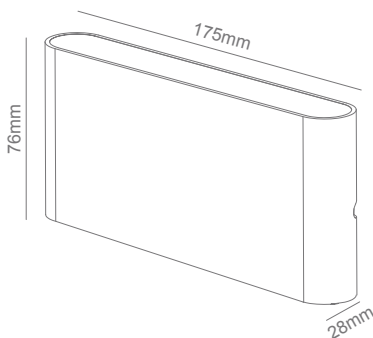
The LYNX Series is a rectangular curved edge surface mounted LED wall or step light and features a slimline, cast-aluminium body and TPS cable gland for easy installation. Perfect for low level pathway lighting and particularly useful for external pathways and steps or any area in which recessed mounting is not an option. The aluminium trim features a special chromate process before a polyester powder coated finish is applied, for extended wear in external environments. With an IP54 rating, the LYNX features amazing downward illumination as well as Up/Down illumination. Available in small, medium and large sizes to suit different applications. Tri-colour switchable, choose from 3000K, 4000K or 5000K colour temperature options. Available in mains power 240V or 12/24V DC, which allows for outdoor applications such as planter boxes and front wall installations, where low voltage wiring has been used. The LYNX is also backed by our Three Year Replacement Warranty for peace of mind.

Specification Features

Input Voltage:	240V AC
Power (W):	7W
IP rating (IP):	IP54
Lumens (lm):	Warm White 3000K - 464lm Neutral White 4000K - 495lm White 5000K - 516lm
CCT:	3000K - 4000K - 5000K (Switchable)
CRI:	≥90
Beam angle (°):	120°
Dimmable:	No
Lifespan (hrs):	50,000hrs



Diagrams / Additional



Item No.	Variant		CCT
	Wht	Blk	
LYNX-MED-1WB-240V	10563	10562	TRIO