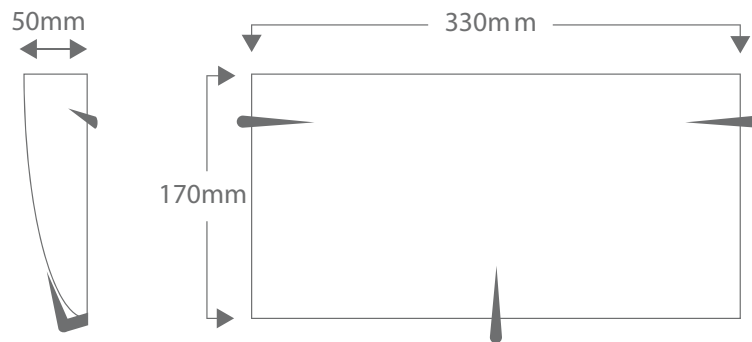


DS-2601/1WB



Order Code: **13896** 1 x 20W E27 CFL

Product Code: **DS-2601/WB**

Description: Square Frosted Glass wall bracket complete with base and spike clips

Dimensions: Width 330mm
 Height 170mm
 Projection 50mm

Lamp: 1 x 20W E27 CFL

Requires: Lamp.

Spare Glass: **14000** DSG-2601WB

Domus Lighting

29-31 Richland Street Kingsgrove NSW 2208

Phone: (02) 9554 9600 | Fax: (02) 9554 9433 | Email: sales@domuslighting.com



Quality
 ISO 9001
 SAI GLOBAL