

## Tropix 4 in 1 Standard Bathroom Heater



### Description

The TROPIX 4-In-1 Standard Line Bathroom Heater offers a modern slimline design to suit most contemporary bathroom designs, combined with the latest technology in PTC bathroom heater models. Standard Line range offers 4-In-1 Functions – Heater, Exhaust Fan, Circulating Fan, and Light Unit. Patented Heat Breeze Technology heats the room while offering low level extraction to help reduce condensation build up in the bathroom. This Standard Line model features twin DC Motors, producing a 2150W output of powerful heat breeze, high volume extraction at 500m<sup>3</sup>/h, circulating fan to reduce warm temperature build up, and a 25W LED Tri-Colour switchable light.

Supplied with 5-Gang Rocker Bakelite Wall Switch, compatible with most previously installed and existing bathroom switches, allowing for easier and quicker installation due to common screw holes. Domus PTC Bathroom Heaters feature an advanced safety feature where the unit will automatically shut off after two hours in case it is left on accidentally. If the unit runs for two hours continuously, a safety function will automatically turn it off. This setting can be overridden and reset by pressing any switch on the controller within this two-hour period.

Ideal for new and existing installations with a slimline 615x315mm fascia frame, and a 595x280mm cutout. Accessories include 5-Gang Rocker Bakelite Wall Switch, 3M Flexible Duct, and Exterior Grille. All Domus PTC Bathroom Heaters are backed by our 5 Year In-Home Warranty.

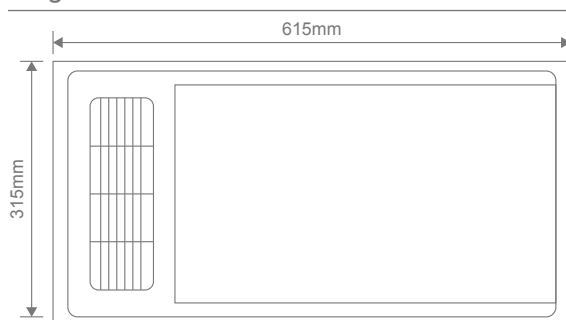
### Specification Features

Input Voltage:	240V AC		
Power (W):	2250W		
Motor Wattage (W):	60W		
Fan Size:	60W		
Air Extraction:	500m <sup>3</sup> /h		
Heat Wattage:	2150W		
Heat Type:	PTC Heating Element		
Light Wattage:	25W LED		
IP Rating (IP):	IPX2		
Decibel Rating (dB):	≤48dB		
CCT:	3000K - 4000K - 5000K (Changeable)		
Lumen Output	3000K 1800lm	4000K 2100lm	5000K 1900lm
CRI:	≥80		
Cutout:	595x280mm		
Fascia Size:	615x315mm		
Duct Size:	150mm		

Accessories: 5 Gang Rocker Bakelite Wall Switch, 3M Flexible Duct, Exterior Grille



### Diagrams / Additional



163mm Height - Minimum 200mm height clearance required

Item No.	Variant		CCT
	Wht	Blk	
TROPIX	56017	56018	TRIO



5 Gang Rocker Bakelite Wall Switch