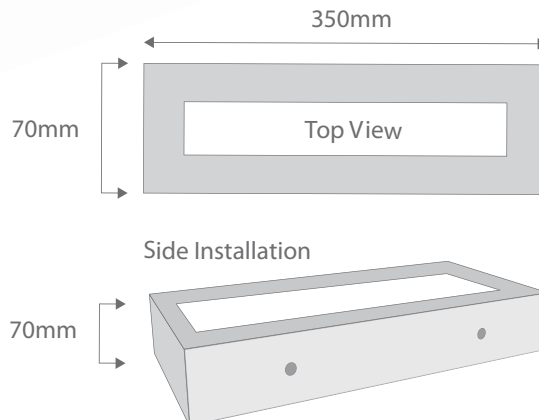


# BF-8392



## BF8392

Order Code: **11069** Raw 2 x 60W G9

Product Code: **BF-8392**

Description: Raw ceramic wall light (Upward light only).  
Ceramic areas can be painted with any water based paint.

Dimensions: Width 350mm  
Height 70mm  
Projection 70mm



Requires: Lamps.

### Domus Lighting

29-31 Richland Street Kingsgrove NSW 2208  
Phone: (02) 9554 9600 | Fax: (02) 9554 9433 | Email: sales@domuslighting.com