

# LV-5905/2R



## Two Light Round Plate (Integral Transformer)

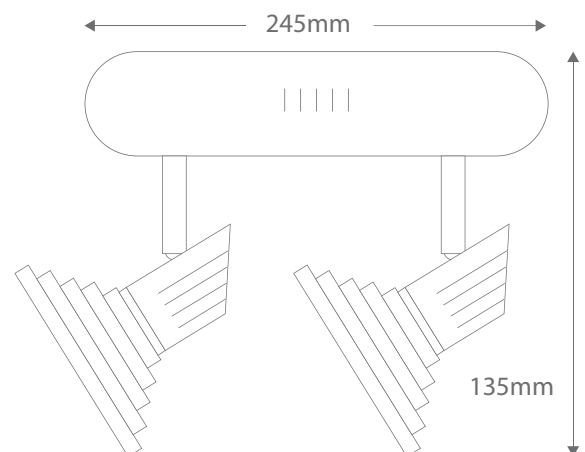
Order Code: **17518** Chrome 2 x 50W MR16  
**17520** Satin Chrome 2 x 50W MR16  
**17521** White 2 x 50W MR16

Product Code: **LV-5905/2R**

Description: Two Step Glass low voltage spotlights on round plate. Adjustable heads – Transformer included and integrated within plate.

Dimensions: Diameter 245mm  
 Height 135mm

Requires: Lamps.



**Domus Lighting**

29-31 Richland Street Kingsgrove NSW 2208

Phone: (02) 9554 9600 | Fax: (02) 9554 9433 | Email: sales@domuslighting.com