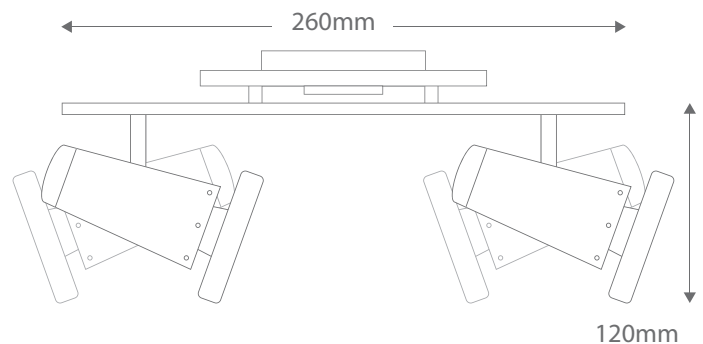


GU-LUPOSE-4SQ SCH



Four Light Square

- Order Code: **30010** Satin Chrome 4 x 50W GU10
- Product Code: **GU-LUPOSE-4SQ SCH**
- Description: Four adjustable 240V GU10 Spotlights on a square plate. No Transformer required.
- Dimensions: Width 260mm
Height 120mm
- Lamp: 4 x 50W GU10
- LED Option: LED GU10 Lamp recommended. Please refer to Lamps Section.



Domus Lighting

29-31 Richland Street Kingsgrove NSW 2208

Phone: (02) 9554 9600 | Fax: (02) 9554 9433 | Email: sales@domuslighting.com