

# GU-9001/1



## Single Light

Order Code: **16210** Satin Chrome 1 x 50W GU10

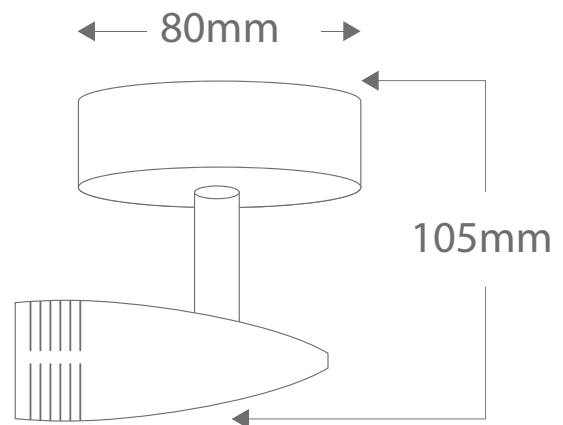
Product Code: **GU-9001/1**

Description: Single adjustable 240V GU10 spotlight on base.  
No transformer required.

Dimensions: Diameter 80mm  
Height 105mm

Lamp: 1 x 50W GU10

LED Option: LED GU10 Lamp recommended.  
Please refer to Lamps Section.



**Domus Lighting**

29-31 Richland Street Kingsgrove NSW 2208

Phone: (02) 9554 9600 | Fax: (02) 9554 9433 | Email: sales@domuslighting.com