

GU-8400/2R



Two Light Round Plate

Order Code: **16189** Satin Chrome 2 x 50W GU10

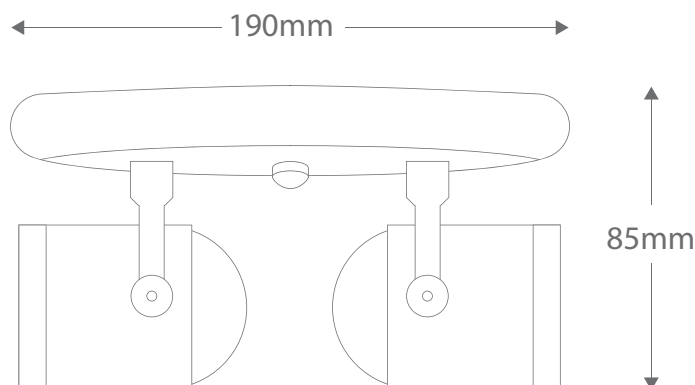
Product Code: **GU-8400/2R**

Description: Two adjustable 240V GU10 spotlights on a round plate.
No transformer required.

Dimensions: Diameter 190mm
Height 85mm

Lamp: 2 x 50W GU10

LED Option: LED GU10 Lamp recommended.
Please refer to Lamps Section.



Domus Lighting

29-31 Richland Street Kingsgrove NSW 2208

Phone: (02) 9554 9600 | Fax: (02) 9554 9433 | Email: sales@domuslighting.com