

GU-8300/3R



Three Light Round Plate

Order Code: **16177** Satin Chrome 3 x 50W GU10

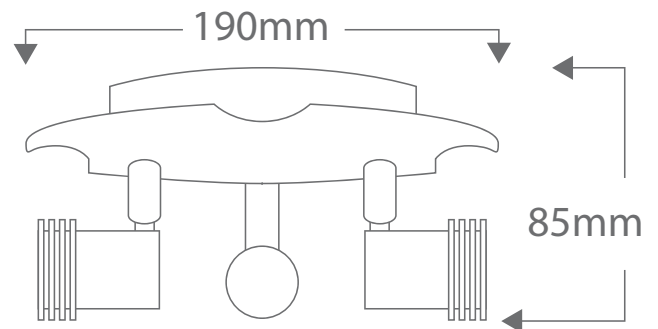
Product Code: **GU-8300/3R**

Description: Three adjustable 240V GU10 spotlights on a round plate.
No transformer required.

Dimensions: Diameter 190mm
Height 85mm

Lamp: 3 x 50W GU10

LED Option: LED GU10 Lamp recommended.
Please refer to Lamps Section.



Domus Lighting

29-31 Richland Street Kingsgrove NSW 2208

Phone: (02) 9554 9600 | Fax: (02) 9554 9433 | Email: sales@domuslighting.com



Quality
ISO 9001
SAI GLOBAL