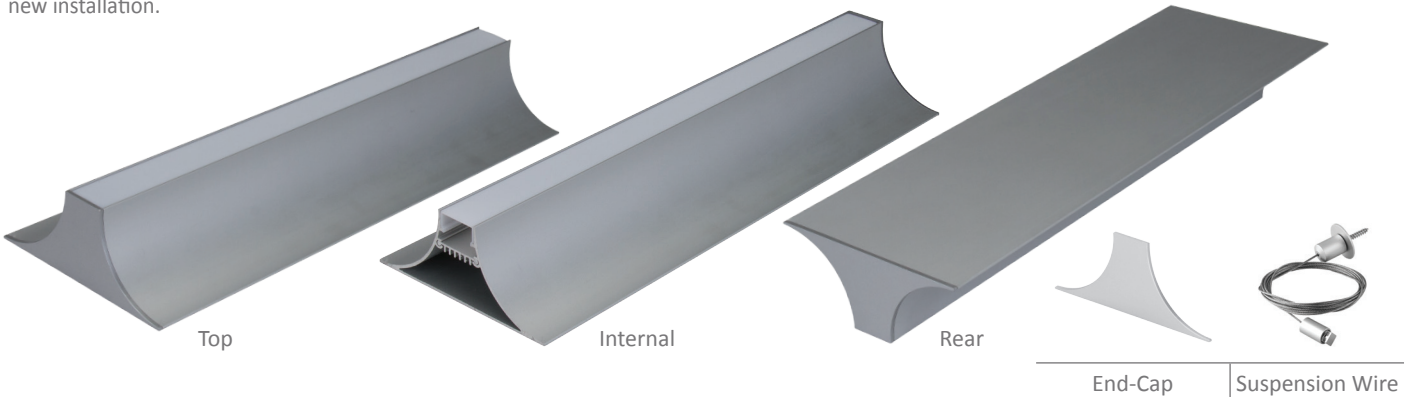




V-LINE LED Mounting Profile

Description

Introducing the V-LINE LED mounting profile system. The V-LINE is specifically designed for the Domus range of LED strip lighting. This aluminium mounting profile system incorporated extruded profile complete with opal colour PMMA diffuser. The key features of the V-LINE is the ability to not only conceal the LED strip lighting but also keep the strip lighting linear. Also, the V-LINE keeps LEDs free from foreign objects and vapours which may damage the LEDs. Another key point is the invisible screw mounting which is hidden with-in the profile for surface mounting applications but the V-LINE comes into its own as a smart and sleek continuous surface mounted profile. With its curved lines and contemporary look the V-LINE makes a statement in any new installation.



Specification Features

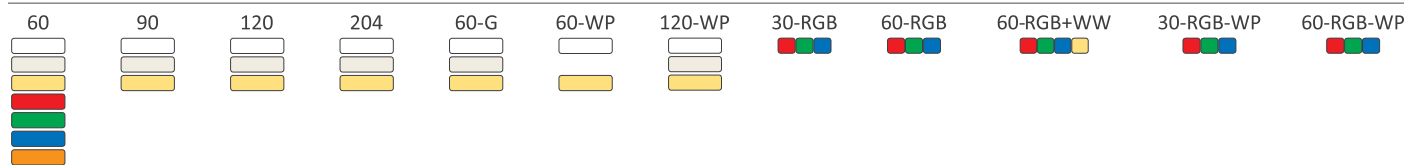
Installation:	Wall, surface or suspended mounted
Material:	Extruded aluminium 6063
Finish:	Natural clear anodised
Diffuser:	Flat (PMMA) Opal colour
Length (mm):	2500mm continuous*
Size (mm):	Profile Base: (W) 100mm, Diffuser (W) 22mm (H) 41.5mm
Accessories (each):	End caps (silver) and wire suspension**
Special:	Custom powder coated colour upon request***
Driver Installation:	Remote driver required (not included)

Order Info:

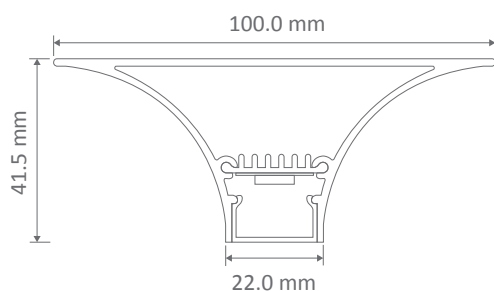
Product Code:	V-LINE
Order Code:	22024
Sold per (m)	1mtr
Product Code:	V-LINE-END-CAP
Order Code:	22025
Colour:	Silver finish
Sold per (m)	Each
Product Code:	PROFILE-SUSPENSION
Order Code:	22041
Length (m):	2mtr Standard Height
Sold per (each):	Each

* Profile sold per meter. Can be cut to suit any length.
 ** Accessories to be ordered separately.
 *** Special powder coat finishes upon request. Surcharges apply.

Compatible LED Strip Lighting



Diagrams / Additional



LED Output Variance:

