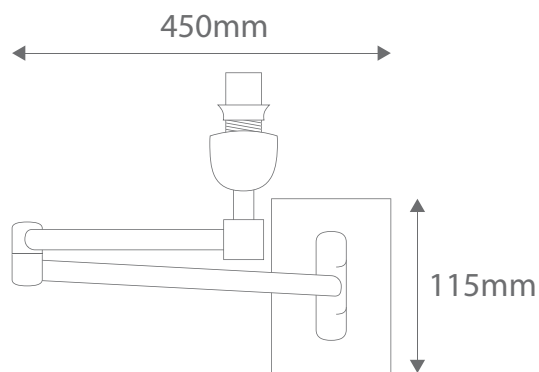


# SW-756



## Rectangular Base Double Swing Arm (No Switch)

Order Code:	<b>18500</b>	Black	1 x 20W B22 CFL
	<b>18501</b>	Brass	1 x 20W B22 CFL
	<b>18502</b>	Chrome	1 x 20W B22 CFL
	<b>18504</b>	Satin Brass	1 x 20W B22 CFL
	<b>18505</b>	Satin Chrome	1 x 20W B22 CFL
	<b>18506</b>	White	1 x 20W B22 CFL

Dimensions: Width 450mm  
Height 115mm



Made in Australia

Requires: Lamp and Shade.

LED Option: LED BC Lamp recommended.  
Please refer to Lamps Section.

Product Code: **SW-756**

Description: Double jointed arm complete with rectangular backplate and lamp holder (**no switch**).

**Domus Lighting**

29-31 Richland Street Kingsgrove NSW 2208

Phone: (02) 9554 9600 | Fax: (02) 9554 9433 | Email: sales@domuslighting.com