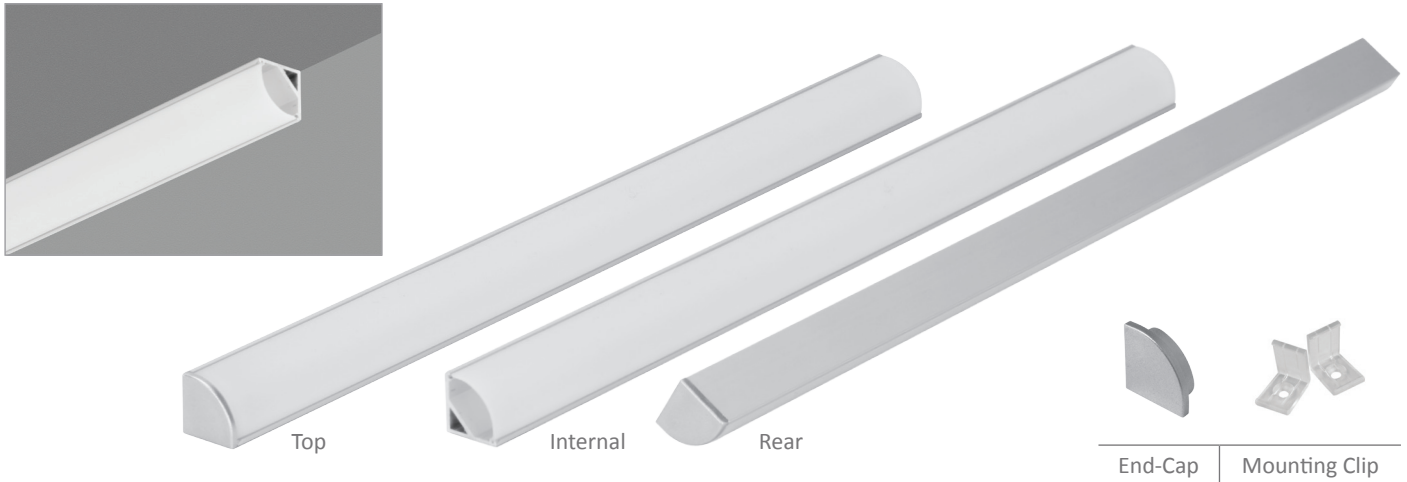




## Q-LINE-MINI LED Mounting Profile

### Description

Introducing the Q-LINE MINI mounting profile system. The Q-LINE MINI is specifically designed for the Domus range of LED strip lighting. This aluminium mounting profile system incorporated extruded profile complete with a curved opal colour PMMA diffuser. The key features of the Q-LINE MINI is the ability to not only conceal the LED strip lighting but also keep the strip lighting linear. Also, the Q-LINE MINI keeps LEDs free from foreign objects and vapours which may damage the LEDs. Another key point is in the mounting of this profile. Specifically designed to be mounted against hard surfaces, under shelving or steps with the ability to focus the light on a 45° angle. Perfect for under kitchen cupboards, built-in wardrobes and stairs where angled on the working surface is needed.



### Specification Features

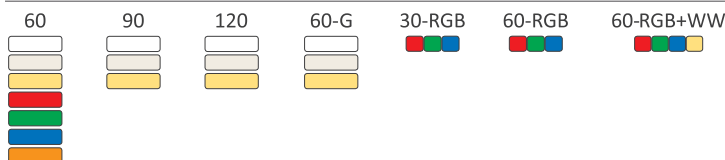
Installation:	Surface mounted
Material:	Extruded aluminium 6063
Finish:	Natural clear anodised
Diffuser:	Curved (PMMA) opal/frost colour
Length (mm):	2500mm continuous*
Size (mm):	Profile (W) 16mm, (H) 16mm
Accessories (each):	End caps (silver) and mounting clips**
Special:	Custom powder coated colour upon request***
Driver Installation:	Remote driver required (not included)

\* Profile sold per meter. Can be cut to suit any length.  
 \*\* Accessories to be ordered separately.  
 \*\*\* Special powder coat finishes upon request. Surcharges apply.

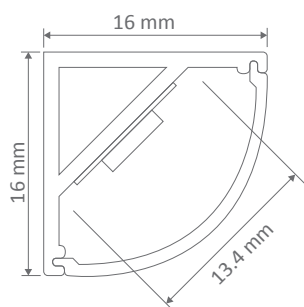
### Order Info:

Product Code:	Q-LINE
Order Code:	22026
Sold per (m)	1mtr
Product Code:	Q-LINE-CAP
Order Code:	22027
Colour:	Silver finish
Sold per (m)	Each
Product Code:	MINI-Q/QUAD Mounting Clip
Order Code:	21999
Length (m):	Clear
Sold per (each):	Each

### Compatible LED Strip Lighting



### Diagrams / Additional



### LED Output Variance:

