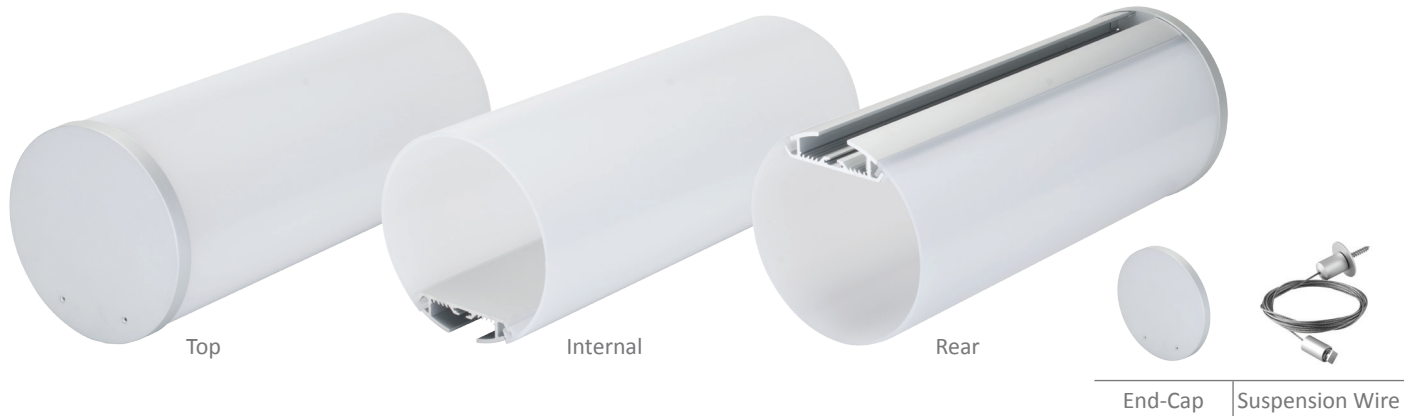




PIPELINE-120 LED Mounting Profile

Description

The PIPE-LINE-120 is the largest in the tubular range of profiles. Incorporating a full wrap around diffuser in an opal-frost colour and a ridged aluminium mounting ridge in a quality anodised finish. The PIPE-LINE-120 offers a classic look in a modern housing which can be used in many applications ranging from commercial projects through to retail area spacing a residential living areas. Application may include general lighting or even as feature lighting in varying lengths and suspension heights to for clusters.



Specification Features

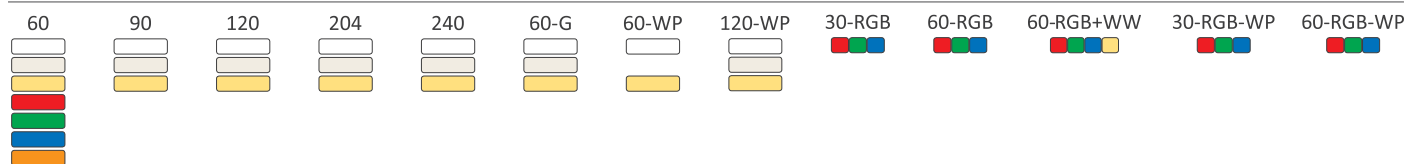
Installation:	Suspended
Material:	Extruded aluminium 6063
Finish:	Natural clear anodised
Diffuser:	Curved (PMMA) opal colour
Length (mm):	2500mm continuous*
Size (mm):	Profile Ø120mm
Accessories (each):	End caps (silver) and wire suspension**
Special:	Custom powder coated colour upon request***
Driver Installation:	Remote driver required (not included)

Order Info:

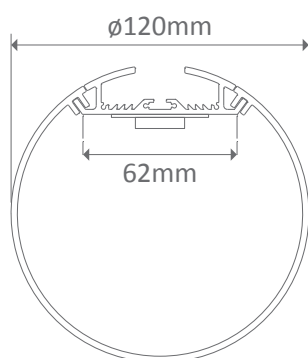
Product Code:	PIPELINE-120
Order Code:	22059
Sold per (m)	1mtr
Product Code:	PIPELINE-120-END-CAP
Order Code:	22060
Colour:	Silver finish
Sold per (m)	Each
Product Code:	EXT-SUSPENSION
Order Code:	22041
Length (m):	2mtr Standard Height
Sold per (each):	Each

* Profile sold per metre. Can be cut to suit any length.
 ** Accessories to be ordered separately.
 *** Special powder coat finishes upon request. Surcharges apply.

Compatible LED Strip Lighting



Diagrams / Additional



LED Output Variance:

