

LV-5904/2B



Two Light Bar (Remote Transformer)

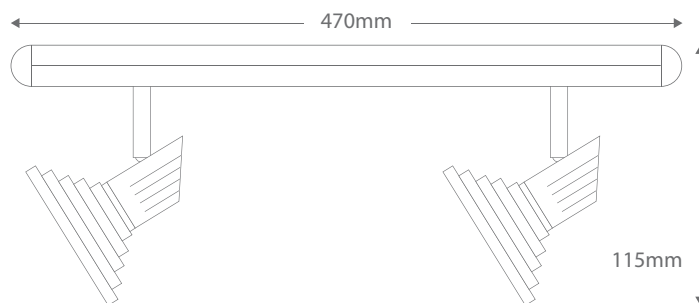
Order Code:	17482	Chrome	2 x 50W MR16
	17484	Satin Chrome	2 x 50W MR16
	17485	White	2 x 50W MR16

Product Code: **LV-5904/2B**

Description: Two Step Glass low voltage spotlights on a single bar. Adjustable heads - No transformer in bar.

Dimensions: Length 470mm
Height 115mm

Requires: Remote transformer and lamps.



Domus Lighting

29-31 Richland Street Kingsgrove NSW 2208

Phone: (02) 9554 9600 | Fax: (02) 9554 9433 | Email: sales@domuslighting.com