

# LV-4001/3B



## Three Light Bar (Integral Transformer)

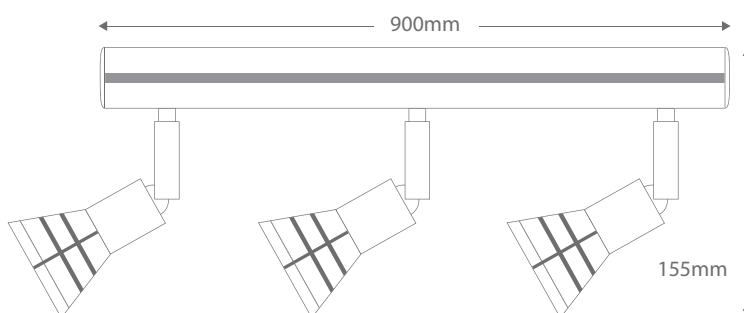
Order Code:	<b>17044</b>	Beige	3 x 50W MR16
	<b>17045</b>	Black	3 x 50W MR16
	<b>17046</b>	Chrome	3 x 50W MR16
	<b>17048</b>	Satin Brass	3 x 50W MR16
	<b>17049</b>	Satin Chrome	3 x 50W MR16
	<b>17050</b>	White	3 x 50W MR16

Product Code: **LV-4001/3B**

Description: Three Farette low voltage spotlights on bar.  
Transformer included and integrated within bar.

Dimensions: Length 900mm  
Height 155mm

Requires: Lamps.



**Domus Lighting**

29-31 Richland Street Kingsgrove NSW 2208

Phone: (02) 9554 9600 | Fax: (02) 9554 9433 | Email: sales@domuslighting.com