

# LV-4000/2B



## Two Light Bar (Remote Transformer)

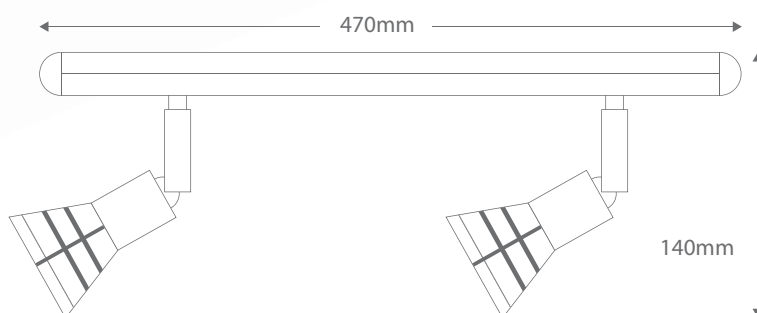
Order Code:	<b>16995</b>	Beige	2 x 50W MR16
	<b>16996</b>	Black	2 x 50W MR16
	<b>16997</b>	Chrome	2 x 50W MR16
	<b>16999</b>	Satin Brass	2 x 50W MR16
	<b>17000</b>	Satin Chrome	2 x 50W MR16
	<b>17001</b>	White	2 x 50W MR16

Product Code: **LV-4000/2B**

Description: Two Farette low voltage spotlights on single bar.  
Adjustable heads - No transformer in base.

Dimensions: Length 470mm  
Height 140mm

Requires: Remote transformer and lamps.



**Domus Lighting**

29-31 Richland Street Kingsgrove NSW 2208

Phone: (02) 9554 9600 | Fax: (02) 9554 9433 | Email: sales@domuslighting.com