

# LS-4003/3



## Three Light Wire Suspension (Integral Transformer)

Order Code:	<b>17219</b>	Beige	3 x 50W MR16
	<b>17220</b>	Black	3 x 50W MR16
	<b>17221</b>	Chrome	3 x 50W MR16
	<b>17223</b>	Satin Brass	3 x 50W MR16
	<b>17224</b>	Satin Chrome	3 x 50W MR16
	<b>17225</b>	White	3 x 50W MR16

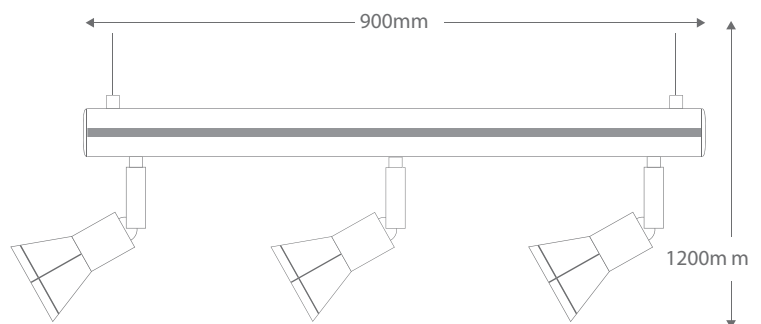
Product Code: **LS-4003/3**

Description: Three Faretto low voltage lights on bar suspended by wire. Transformer included and integrated within bar.

Special lengths can be made to order.

Dimensions: Length 900mm  
Height 1200mm

Requires: Lamps.



**Domus Lighting**

29-31 Richland Street Kingsgrove NSW 2208

Phone: (02) 9554 9600 | Fax: (02) 9554 9433 | Email: sales@domuslighting.com