

LS-3705/2



Two Light Wire Suspension (Integral Transformer)

Order Code:	16967	Beige	2 x 50W MR16
	16968	Black	2 x 50W MR16
	16969	Chrome	2 x 50W MR16
	16970	Gold	2 x 50W MR16
	16971	Satin Brass	2 x 50W MR16
	16972	Satin Chrome	2 x 50W MR16
	16973	White	2 x 50W MR16

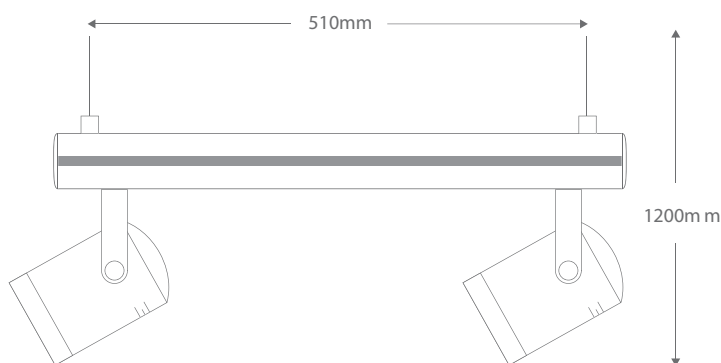
Product Code: **LS-3705/2**

Description: Two Barrel head low voltage spotlights on bar suspended by wire. Adjustable heads. Transformer included and integrated within bar.

Special lengths can be made to order.

Dimensions: Length 510mm
Height 1200mm

Requires: Lamps.



Domus Lighting

29-31 Richland Street Kingsgrove NSW 2208

Phone: (02) 9554 9600 | Fax: (02) 9554 9433 | Email: sales@domuslighting.com