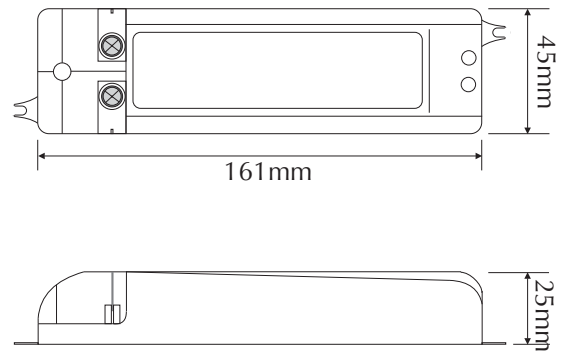


DM2410



Order Code: **20398**

Product Code: **DM2410**

Description: Constant Voltage LED driver for use on LED MR16 lamps, LED strip lighting, in-ground uplighters and much more.

Data: Insulation: Class II, no earth required, Supply Voltage: 100V-260V AC 50/60Hz (universal input), Supply Current: 0.2A max, Output Voltage: 24V DC SELV (Safety Extra Low Voltage), Min-Max loading: 0-10W 420mA, Start delay: approx 0.5 seconds, Storage temperature: -20°C - +80°C, Ingress protection: IP20, extra large 240V input terminals.

Features: Secondary side short circuit protection, thermal overload protection, thermal fuse to ensure safe failure if in areas of excessive temperatures, radio interference suppression in accordance with EN55015, safety and performance in accordance with EN61046, EMC immunity in accordance with EN61547, three year replacement guarantee.

Size: (L) 161 mm x (W) 45mm x (H) 25mm



Domus Lighting

29-31 Richland Street Kingsgrove NSW 2208

Phone: (02) 9554 9600 | Fax: (02) 9554 9433 | Email: sales@domuslighting.com