

BOOST-30 LED Downlight



Description

The BOOST range of LED downlights has been specifically designed by incorporating cost saving materials to produce a cost effective and well performing downlight solution to the market. Bright output 30W LED recessed downlight with anti-glare deep set frame, opal diffuser, dimmable LED driver flex & plug. Fully dimmable with Domus dimmer.

The BOOST series offers the customer a range of performance features including a unique thermal management system not offered by others.

Specification Features

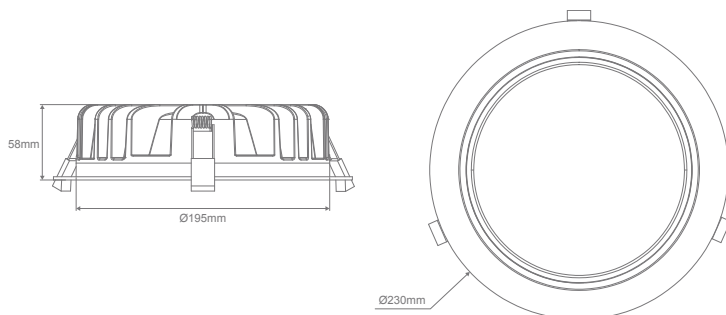
Input Voltage:	240V AC
Power (W):	30W
IP rating (IP):	44*
Lumens (lm):	Warm White 3000K - 2130lm Neutral White 4000K - 2160lm White 5000K - 2180lm
LED type:	SMD
CCT:	3000K - 4000K - 5000K
CRI:	≥80
Beam angle (°):	90°
Dimmable:	Yes**
Lifespan (hrs):	40,000hrs
Cutout (∅):	∅200mm

* IP44 rating is from the underside of the down light once installed into the ceiling.

** Tested on the Domus dimmer series. May work on others but not tested.



Diagrams / Additional



Order Code: 20753
Product Code: BOOST-20-RND-W-WW
Colour: Satin White Trim - Warm White 3000K

Order Code: 20754
Product Code: BOOST-20-RND-W-NW
Colour: Satin White Trim - Neutral White 4000K

Order Code: 20755
Product Code: BOOST-20-RND-W-W
Colour: Satin White Trim - White 5000K



Recessed Luminaire where fixed building insulation material can abut and cover the recessed luminaire. Building Insulation does not have to be non flammable. Building Insulation must maintain structural integrity at 90 degrees C.
Important: IC-F Downlights are not to be used in the Fire Rated Applications.