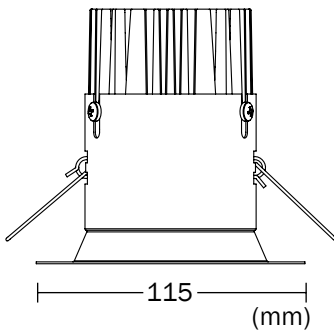


# RECESSED FIXED LED DOWNLIGHT

- PRO-DL13W27

**iLP**  
**iReady**



Cutout - Ø 84

PRO-DL13W27

## WEIGHT / LIFE

Downlight	230g
Controller	175g
LED Lamp Life	50,000HR
Controller Life	50,000HR

## PRODUCT FEATURES

- Powder coated matt finish body and fascia
- Specular aluminium polished reflector
- Clear front glass cover
- Finned aluminium heat sink
- Prewired to electronic driver in turn attached to primary wires in enclosed quick-connect terminal block
- Includes 1 x 13W LED module

## PRODUCT SPECIFICATIONS

### ELECTRICAL

Supply Voltage	230-240Vac
Supply Frequency	50-60Hz
Supply Current	0.21A
Power Factor	0.6
Total Input Power	13W
Secondary Output Voltage	21V DC
Secondary Output Current	1050mA
Lamp Power	13W

### MATERIALS

Heatsink	Finned aluminium
Attachment Clip	Chrome spring clips
Body	Powder coated matt finish
Fascia	Powder coated matt finish
Len / Diffuser	Glass
Controller Base & Cover	Thermoplastic
Terminal Clamp Moulding	Thermoplastic
Electronic Components & PCB's	RoHS compliant

### THERMAL

Thermal Protection	Fully protected
Ambient Temperature Rating	-20°C - +45°C
Maximum Surface Temp	75°C
Ingress Protection Rating	IP44

### OPTICAL / PHOTOMETRIC

Luminous Flux	700 lumens
CRI	90
Colour Temperature	2700K
Beam Angle	120°



REFERENCE	COLOUR	CODE
PRO-DL13W27	White	26853