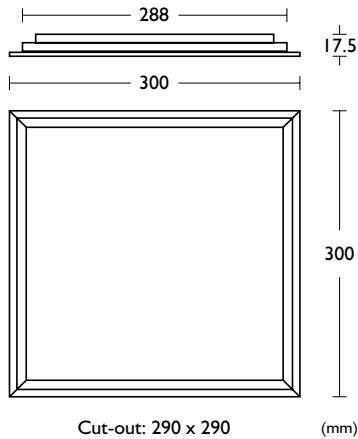


Slimline Recessed Ceiling Square Panel Kit



SP300ECO

WEIGHT / LIFE

Panel	1.3Kg
LED Lamp Life	40,000HR
Controller Life	40,000HR

PRODUCT FEATURES

- 22W Slimline Recessed Ceiling Square Panel Kit
- Die-cast aluminium body and base
- Frosted finish PMMA thermoplastic diffuser
- Steel clips
- 24V, 1.5A plug in LED driver with lamp lead and secondary lead with 1.5m flex & plug



PRODUCT SPECIFICATIONS

ELECTRICAL

Supply Voltage	220-240V AC
Supply Frequency	50-60Hz
Supply Current	0.25A
Power Factor	0.5
Total Input Power	22W
Secondary Output Voltage	24V DC
Secondary Output Current	1.5A
Lamp Power	22W

MATERIALS

Heatsink	Aluminium
Attachment Clip	Steel
Body	Aluminium, PMMA
Diffuser	PMMA
Controller Base & Cover	Polycarbonate

THERMAL

Thermal Protection	Fully protected
Ambient Temperature Rating	50°C
Maximum Surface Temp	75°C
Ingress Protection Rating	IP20

OPTICAL / PHOTOMETRIC

Luminous Flux	1040 lumens
CRI	70
Colour Temperature	4000K
Beam Angle	150°



REFERENCE	COLOUR	CODE
SP300ECO	White	27065