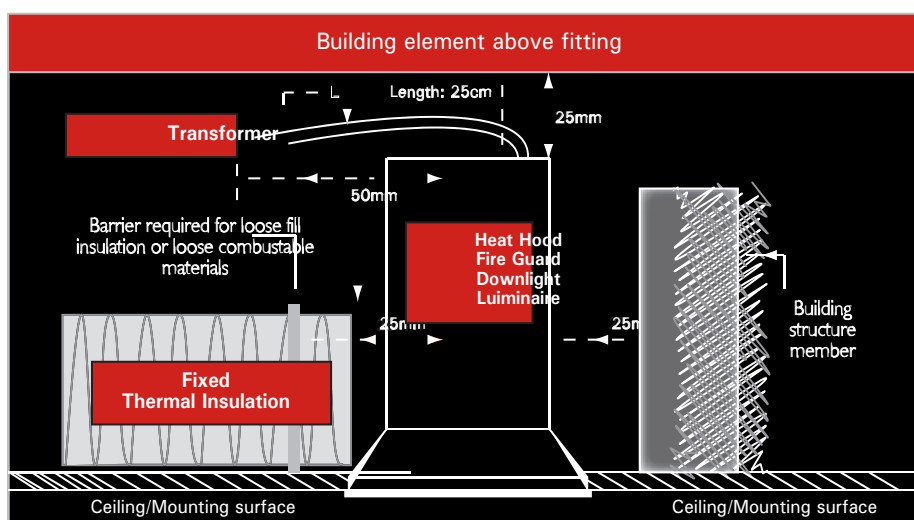


## HEAT HOODS & FIRE GUARDS

Crompton Heat Hoods and Fire Guard downlights can be installed on any firm and stable horizontal surface. Full instructions are supplied with the product and special reference should be made to the 'Safety Warnings' regarding installation.

The current Australian/New Zealand Wiring Rules AS/NZS3000 stipulate a minimum clearance for halogen recessed downlights of 200mm between the downlight and structural members, thermal insulation and any other substance, unless the luminaire has a suitable fire resistant enclosure.

Due to the aluminium heat hood and fire guard cylinder acting as a heat sink and providing fire resistance, a minimum clearance of 25mm between the downlight and structural members, thermal insulation that is fixed in position and any other normally flammable substance, is considered suitable and safe for these products



## POSITIONING THE ELV TRANSFORMER

The electronic ELV transformer must be positioned and fixed in a well ventilated location, not directly above the downlight and free from direct contact with any insulating materials, strictly in accordance with the Australian/New Zealand Wiring Rules AS/NZS3000. The length of the ELV transformer secondary wires must separate the lamp holder and the ELV transformer by a minimum of 25cm, otherwise the ELV transformer may overheat and shut off.

## DIMENSIONS

Height: ~ Heat Hood 100mm, Fire Guard 105mm  
Nominal cut-out ~ Heat Hood DL21 72mm, DL23 92mm  
~ Fire Guard DL21 72mm, DL23 83mm

Actual downlight must be checked for final cut-out dimension and Crompton will not accept any liability for incorrect installation cut-outs.