

LED Exterior Wall Light

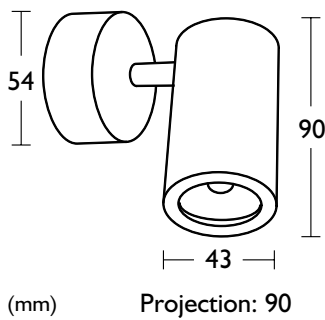


PRODUCT SPECIFICATIONS

WARM 1000K
5000K COOL
COOL 7000K

ENERGY SAVING
10,000 HOURS LAMP LIFE
STAINLESS STEEL
IP 65

1W 40 LUMENS



EXST4002

PRODUCT FEATURES

- LED wall light
- Stainless steel construction
- Toughened glass diffuser
- Inbuilt driver for direct connection to 240V supply
- IP65
- 1W white LED



ELECTRICAL	
Supply Voltage	85-240V AC
Supply Frequency	50-60Hz
Supply Current	20mA
Power Factor	0.6
Total Input Power	1W
Lamp Power	1W
Input Capacitance of Driver	4.7nF

MATERIALS	
Body	Stainless Steel
Diffuser	Toughened glass

THERMAL	
Ambient Temperature Rating	25°C Nominal
Maximum Surface Temp	45°C Nominal
Ingress Protection Rating	IP65

OPTICAL / PHOTOMETRIC	
Luminous Flux	40 lumens
CRI	> 70
Colour Temperature	5000K

WEIGHT / LIFE	
Fitting	560g
LED Lamp Life	10,000HR



REFERENCE	COLOUR	CODE
EXST4002	Stainless Steel	25319

Exterior /
Landscape