

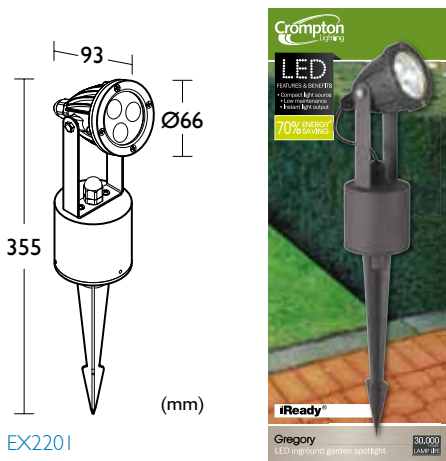
Gregory - LED Inground Garden Spotlight



PRODUCT SPECIFICATIONS

1000K WARM
3000K WARM
7000K COOL

70% ENERGY SAVING*
30,000 HOURS LAMP LIFE
IP 54
3W 163 LUMENS



EX2201

WEIGHT / LIFE

Fitting	490g
LED Lamp Life	30,000 HR
Controller Life	30,000 HR

PRODUCT FEATURES

- 3W LED inground garden spotlight
- Powder coated die-cast aluminium construction
- Clear polycarbonate diffuser
- Adjustable head and inground spike
- Silicon rubber gasket
- Inbuilt driver for direct connection to 240V supply
- Weather resistant IP54
- 3 x 1W LED's

* Compared to a standard 35W MR16 lamp



ELECTRICAL

Supply Voltage	220-240V AC
Supply Frequency	50-60Hz
Supply Current	0.044A
Power Factor	0.6
Total Input Power	4.1W
Secondary Output Voltage	11V
Lamp Power	3 x 1W

MATERIALS

Body	Aluminium
Diffuser	Polycarbonate

THERMAL

Thermal Protection	135°C, fully protected
Ambient Temperature Rating	40°C
Maximum Surface Temp	75°C
Ingress Protection Rating	IP54

OPTICAL / PHOTOMETRIC

Luminous Flux	163 lumens
CRI	75-80
Colour Temperature	3000K
Beam Angle	25°



REFERENCE	COLOUR	CODE
EX2201	Graphite	27052