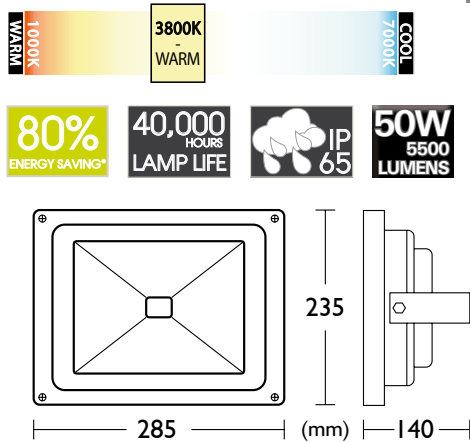


50W IP65 LED Weatherproof Floodlight

PRODUCT SPECIFICATIONS



FL50



WEIGHT / LIFE

Fitting	2.3Kg
LED Lamp Life	40,000 HR
Controller Life	50,000 HR

PRODUCT FEATURES

- LED weatherproof floodlight
- Powder coated die-cast aluminium construction
- Tempered clear glass diffuser
- Inbuilt driver for direct connection to 240V supply
- Prewired to 1.5m flex & plug
- Weather resistant IP65
- Includes 1 x 50W LED module

* Compared to a standard 500W R7s linear halogen lamp



ELECTRICAL

Supply Voltage	220-240V AC
Supply Frequency	50Hz
Supply Current	280mA
Power Factor	0.85
Total Input Power	52.5W
Secondary Output Voltage	30V
Secondary Output Current	1600mA
Lamp Power	1 x 50W

MATERIALS

Body	Aluminium
Diffuser	Tempered glass

THERMAL

Thermal Protection	Fully protected
Ambient Temperature Rating	-20°C to 80°C
Maximum Surface Temp	67°C
Ingress Protection Rating	IP65

OPTICAL / PHOTOMETRIC

Luminous Flux	2870 lumens
CRI	70
Colour Temperature	3800K
Beam Angle	92°



REFERENCE	COLOUR	CODE
FL50W	White	27107
FL50B	Black	27108