



# BLIZZARD DC

SQUARE DC EXHAUST FAN



THE MOST ENERGY EFFICIENT  
DC EXHAUST FAN IN ITS CLASS

THAT'S BRILLIANT!

[brillianttrade.com.au](http://brillianttrade.com.au)

## ENERGY-SAVING BATHROOM SOLUTION

Brilliant is proud to introduce the first in our bathroom range, brushless Direct Current (DC) motor exhaust fan to meet the growing demand for home energy star rating. Not only does it offer a powerful ventilation performance, but also an aesthetic design that appeals to all decor.

### POWERFUL AND EFFICIENT PERFORMANCE

Our DC motor consumes up to 50% less power than most traditional AC motors, but still achieves the same airflow extraction.

### LONG LIFE

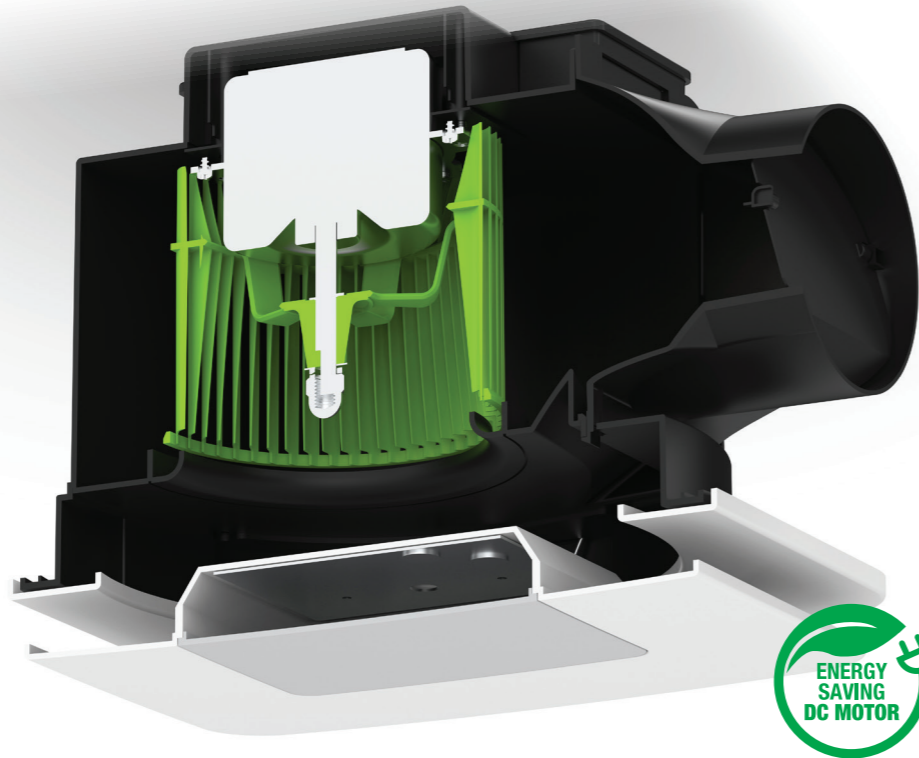
Due to the lower operating temperature, it will outlast most AC counterparts in its lifespan. This means this may be the last exhaust fan you ever buy.

### FLEXIBLE DUCTING SOLUTION

Our duct adaptor can be easily removed to enable easy ducting installation. Each adaptor includes a backdraft stopper to prevent drafts from entering your home.

### WARRANTY

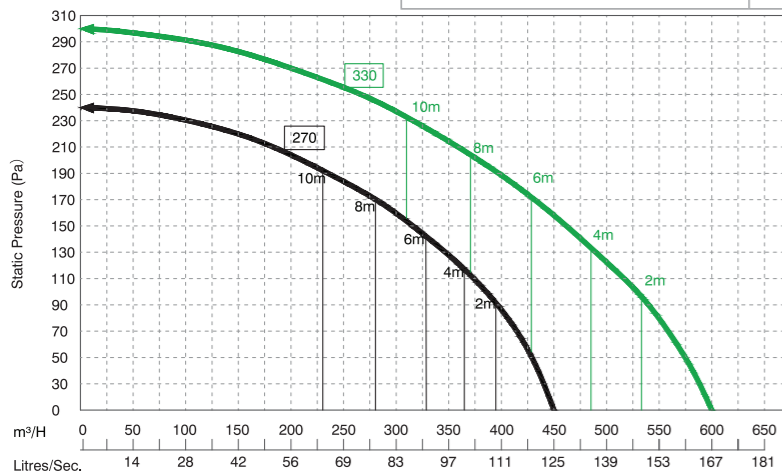
Backed by a 5 year warranty, providing assurance and peace of mind.



## BLIZZARD DC vs COMPARABLE BRANDS

The Blizzard underwent testing and comparison against similar brands in the market, excelling in noise levels and power efficiency to deliver comparable airflow extraction results.

BRAND	POWER	NOISE (@1.5m)	AIRFLOW (m3/hr)
<b>BRILLIANT BLIZZARD</b>			
BLIZZARD 270	20W	36dB	450
BLIZZARD 330	40W	41dB	600
<b>OTHER COMPARABLE BRANDS</b>			
BRAND A	30W	36dB	220
BRAND B	60W	46dB	350
BRAND C	80W	51dB	510
BRAND D	65W	50dB	640



Blizzard has been tested to perform under long ducting, and the resulting chart shows that the airflow (with 10m ducting) still remain reasonably well at around 50% of peak extraction.

\* Testing is done based on 150mm duct diameter.  
\*\* Recommended to avoid sharp bends/turns, as it will reduce the airflow significantly.

### ENERGY SAVING - DC MOTOR

Blizzard's motor is the most energy efficient in market, requiring only 40W (Large) / 20W (Small) to run.



### QUIET OPERATION

Engineered to reduce noise operation to a low level and as minimal as possible, creating a serene and comfortable environment.



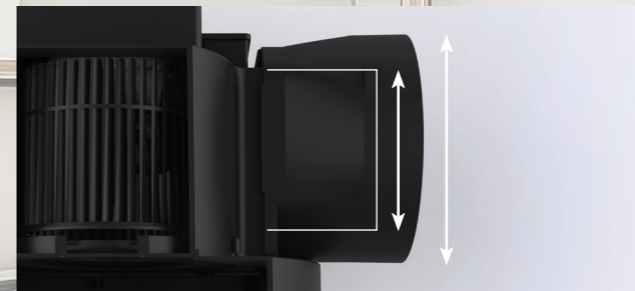
### HIGH EXTRACTION RATE

The design of the fascia allows air to move constantly and faster with minimal pressure build up and resistance.



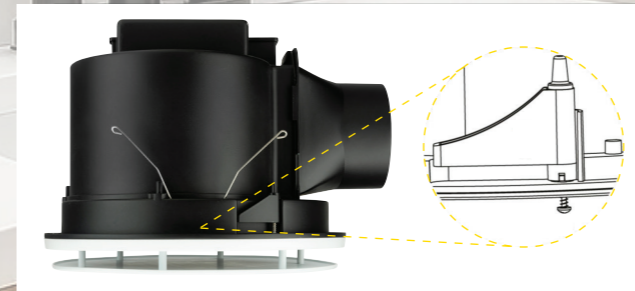
### FLEXIBLE DUCTING SOLUTION

Comes with 2 duct adaptors (100mm and 150mm) at no extra cost, saving you the dilemma and money of getting a converter.



### EASY INSTALLATION

Standard round cutout, providing trouble-free installation from below ceiling. The clamps are easily positioned and lock into the ceiling with ease.



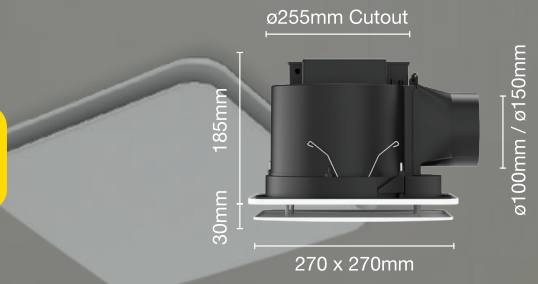
### SUPER BRIGHT LED LIGHT

Bright energy efficient LED lighting to help illuminate your room. CCT options to suit any mood.



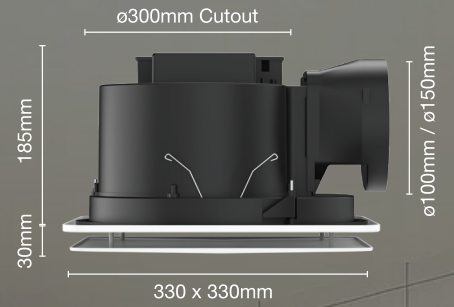
### Model: 23026/05

**20W** DC MOTOR  
**450** m<sup>3</sup>/hr AIRFLOW  
 **ø255**  
**220 - 240V** AC  
**IPX4 RATED**  
**5YR** WARRANTY  

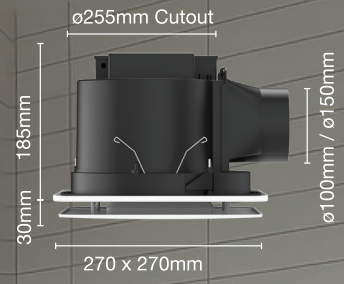
### Model: 23027/05

**40W** DC MOTOR  
**600** m<sup>3</sup>/hr AIRFLOW  
 **ø300**  
**220 - 240V** AC  
**IPX4 RATED**  
**5YR** WARRANTY  

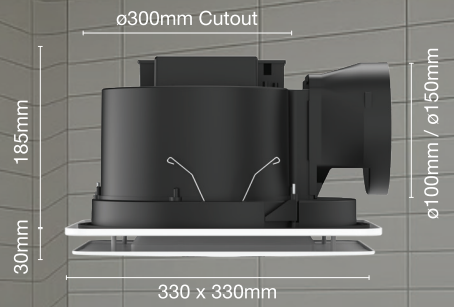
### Model: 23028/05

**20W** DC MOTOR  
**450** m<sup>3</sup>/hr AIRFLOW  
**15W LED CCT** 1100lm  
 **ø255**  
**220 - 240V** AC  
**IPX4 RATED**  
**5YR** WARRANTY  





### Model: 23029/05

**40W** DC MOTOR  
**600** m<sup>3</sup>/hr AIRFLOW  
**15W LED CCT** 1100lm  
 **ø300**  
**220 - 240V** AC  
**IPX4 RATED**  
**5YR** WARRANTY  

LED COLOUR TEMPERATURE CHANGING

**3000K** WARM WHITE  
**4200K** COOL WHITE  
**6000K** NATURAL WHITE

	MODEL	COLOUR	DESCRIPTION	BOX SIZE	GROSS WEIGHT	BOX QTY	BARCODE
<b>RETAIL BOX</b>	23026/05	White	Blizzard DC Square Exhaust Fan 270mm	W330 x H238 x D280 mm	2.2 kg	1 pc	 9 312641 230267
<b>RETAIL BOX</b>	23027/05	White	Blizzard DC Square Exhaust Fan 330mm	W368 x H238 x D340 mm	2.7 kg	1 pc	 9 312641 230274
<b>RETAIL BOX</b>	23028/05	White	Blizzard DC LED Square Exhaust Fan with light 270mm	W330 x H238 x D280 mm	2.5 kg	1 pc	 9 312641 230281
<b>RETAIL BOX</b>	23029/05	White	Blizzard DC LED Square Exhaust Fan with light 330mm	W368 x H238 x D340 mm	3.1 kg	1 pc	 9 312641 230298