



TALON PROMAX

Exhaust Fan with Light and Delay Timer

EXHAUST FAN



3YR
WARRANTY

TRI-COLOUR CCT
3000K - 4200K - 6000K
WARM WHITE TO DAYLIGHT



220-240V
AC

35W
AC MOTOR

350
m³/hr
AIRFLOW



50W
AC MOTOR

460
m³/hr
AIRFLOW



15W
LED
1100lm

IPX4
RATED



22904

22907

Brilliant's new Talon Promax exhaust fan features a quiet and advanced AC motor which produces a powerful extraction that quickly removes steam, moisture and odour. The modern fascia's are designed to efficiently remove air with minimal resistance and low noise. Available with intergrated LED light and build in timer plus 2 sizes to suit small or larger rooms.

- Advanced AC motor and fascia designed to efficiently remove moisture, steam and odour.
- Designed for air to easily enter and flow through with minimal resistance and low noise.
- Removable fascia for easy cleaning.
- Build-in delay OFF timer - adjustable up to 30mins.
- Super bright 15W LED CCT 1100lm light (selectable from switch)
- Swing clips to easily clamp onto ceiling in any room: perfect for both single and multi-storey homes.
- Plug and lead for faster installation.
- 100mm & 150mm duct adaptor with back draft shutter included.
- 4-pin plug base included.
- Other installation friendly features include round cutout and long lead (0.9m)
- Polyfoam free packaging (100% recyclable cardboard)

APPLICATIONS

- For bathrooms, laundry, kitchen to other spaces that require ventilation to the outside.



Bonus!
4-pin plug base included in box

CONFORMS TO NCC (NATIONAL CONSTRUCTION CODE)



TALON PROMAX

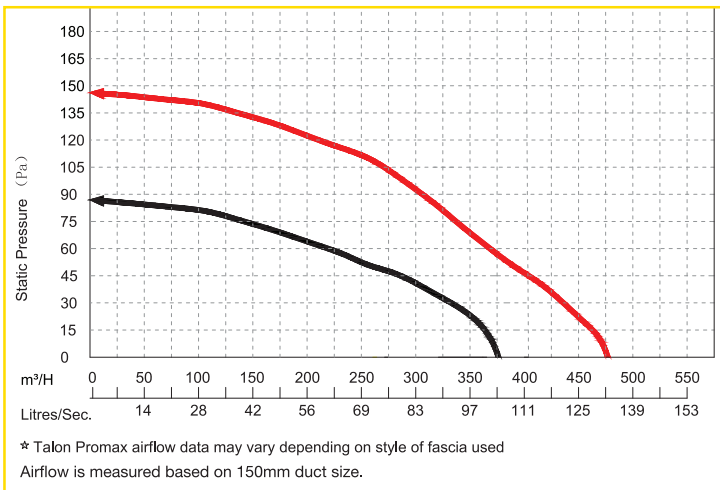
Exhaust Fan with Light and Delay Timer

EXHAUST FAN

TECHNICAL SPECIFICATIONS

Operating Voltage	220-240V AC / 50Hz
Class	Class I
Motor Wattage	22904: 35W 22907: 50W
Fascia	22904: Ø270mm 22907: Ø330mm
Air Extraction	22904: up to 350m ³ /hr, 97 l/sec 22907: up to 460m ³ /hr, 128 l/sec
Light Wattage	15W
Light Lumens	1100lm Max
Colour Temperature	3000K/ 4200K/ 6000K (selectable from LED switch on housing)
Cutout	22904: Ø255mm 22907: Ø300mm
Min Ceiling Depth	220mm
Duct Outlet Diameter	100mm & 150mm (Duct not included)
Ingress Protection	IPX4
Control	AU plug and lead for separate fan and light
Noise	22904: 44dB @3m 22907: 46dB @3m
Timer	0-30 mins Max (OFF, 5, 10, 15, 20 & 30mins)
Warranty	3 year replacement*

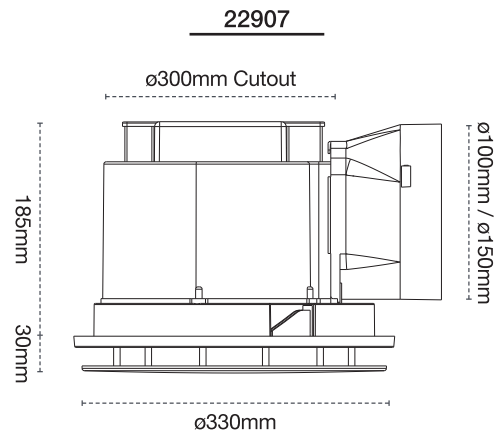
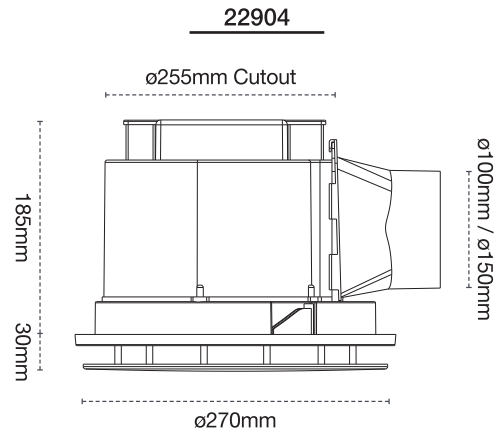
STATIC PRESSURE CHART



*Plus Statutory government warranty. Refer to warranty details inside.

INSTALLATION

Swing clips with screws



NCC requires an exhaust system that is not run continuously and installed in a room without windows, to be able to continue to run for 10mins after it is switch OFF.



	COLOUR	DESCRIPTION	BOX SIZE	GROSS WEIGHT	BOX QTY
22904/05					
RETAIL BOX	White	TALON PROMAX Exhaust Fan with Light and Timer 270mm	W330 x H238 x D280 mm	2.0 kg	1 pc
22907/05					
RETAIL BOX	White	TALON PROMAX Exhaust Fan with Light and Timer 330mm	W368 x H238 x D340 mm	3.0 kg	1 pc