



# TALON PROMAX

## Exhaust Fan

EXHAUST FAN



3YR  
WARRANTY

220-  
240V  
AC

35W  
AC  
MOTOR

350  
m<sup>3</sup>/hr  
AIRFLOW



50W  
AC  
MOTOR

460  
m<sup>3</sup>/hr  
AIRFLOW



IPX4  
RATED



22888

22889

Brilliant's new Talon Promax exhaust fan features a quiet and advanced AC motor which produces a powerful extraction that quickly removes steam, moisture and odour. The modern fascia's are designed to efficiently remove air with minimal resistance and low noise. Available in 2 sizes to suit small or larger rooms.

- Advanced AC motor and fascia designed to efficiently remove moisture, steam and odour.
- Designed for air to easily enter and flow through with minimal resistance and low noise.
- Removable fascia for easy cleaning.
- Swing clips to easily clamp onto ceiling in any room: perfect for both single and multi-storey homes.
- Plug and lead for faster installation.
- 100mm & 150mm duct adaptor with back draft shutter included.
- Other installation friendly features include round cutout and long lead (0.9m)
- Polyfoam free packaging (100% recyclable cardboard)

### APPLICATIONS

- For bathrooms, laundry, kitchen to other spaces that require ventilation to the outside.





# TALON PROMAX

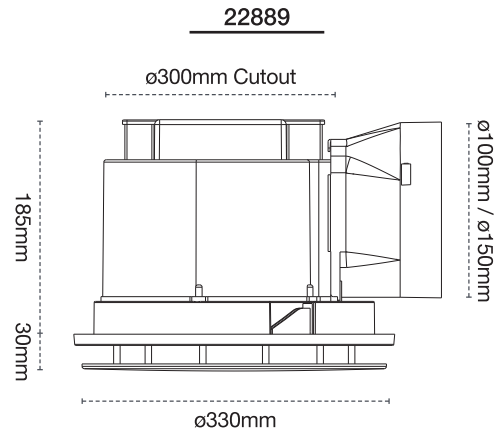
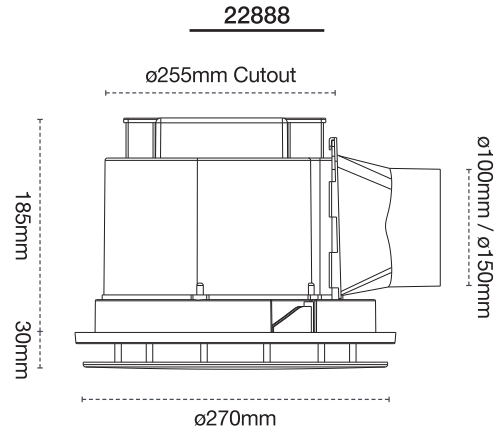
## Exhaust Fan

### TECHNICAL SPECIFICATIONS

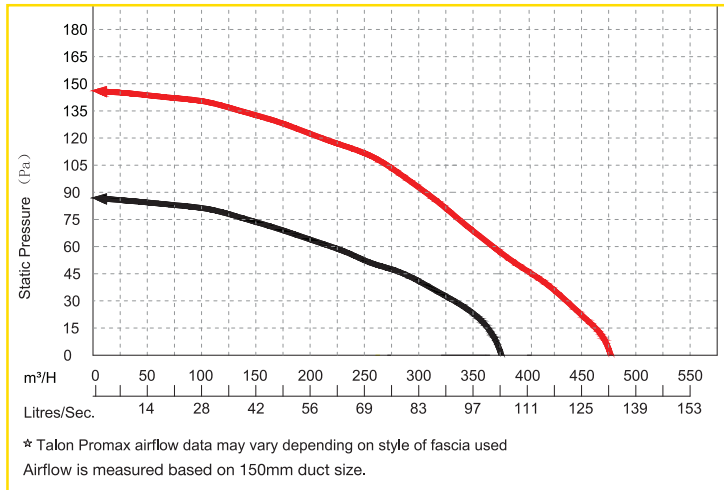
<b>Operating Voltage</b>	220-240V AC / 50Hz
<b>Class</b>	Class I
<b>Motor Wattage</b>	22888: 35W 22889: 50W
<b>Fascia</b>	22888: Ø270mm 22889: Ø330mm
<b>Air Extraction</b>	22888: up to 350m <sup>3</sup> /hr, 97 l/sec 22889: up to 460m <sup>3</sup> /hr, 128 l/sec
<b>Cutout</b>	22888: Ø255mm 22889: Ø300mm
<b>Min Ceiling Depth</b>	220mm
<b>Duct Outlet Diameter</b>	100mm & 150mm (Duct not included)
<b>Ingress Protection</b>	IPX4
<b>Control</b>	AU Plug and lead for fan
<b>Noise</b>	22888: 44dB @3m 22889: 46dB @3m
<b>Warranty</b>	3 year replacement*

### INSTALLATION

Swing clips with screws



### STATIC PRESSURE CHART



\*Plus Statutory government warranty. Refer to warranty details inside.

	COLOUR	DESCRIPTION	BOX SIZE	GROSS WEIGHT	BOX QTY
<b>22888/05</b>					
<b>RETAIL BOX</b>	White	TALON PROMAX Exhaust Fan 270mm	W330 x H238 x D280 mm	2.0 kg	1 pc
<b>22889/05</b>					
<b>RETAIL BOX</b>	White	TALON PROMAX Exhaust Fan 330mm	W368 x H238 x D340 mm	3.0 kg	1 pc