



DORMON

EXTERIOR WALL LIGHT



240V
2x35W max
GU10
CFL GU10
LED GU10
IP44
INCLUDED

Modern curved exterior wall light either durable 304 stainless steel or powdercoated diecast aluminium.
IP44 Weatherproof rated.
2 Year Warranty.



Code:	17943/..
16 STAINLESS STEEL (304)	9 312641 179443 >
51 CHARCOAL	9 312641 179450 >



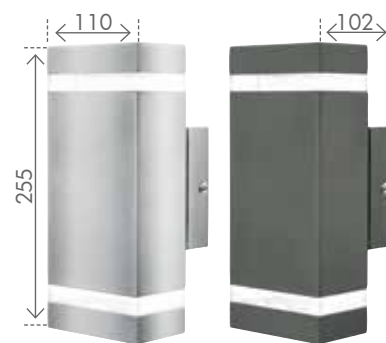
ENTASIS

EXTERIOR WALL LIGHT



240V
2x35W max
GU10
CFL GU10
LED GU10
IP44
INCLUDED

Modern rectangular block exterior wall light either durable 304 stainless steel or powdercoated diecast aluminium.
IP44 Weatherproof rated.
2 Year Warranty.



Code:	17942/..
16 STAINLESS STEEL (304)	9 312641 179429 >
51 CHARCOAL	9 312641 179436 >