



# STRIDE

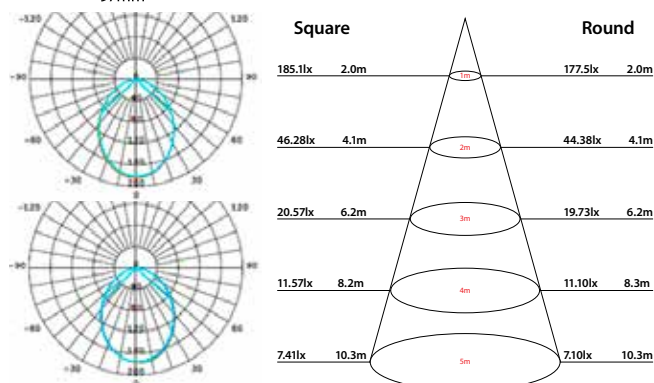
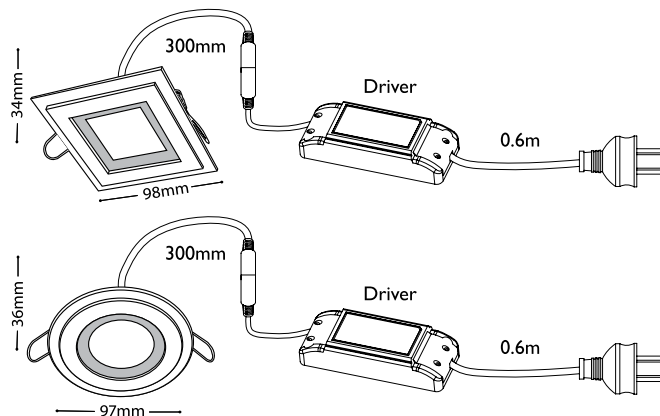
## GLASS SMD LED DOWNLIGHT/STEPLIGHT



240V	6W rated 7.5W w/driver	SMD LED	3000K WARM WHITE	E		100° BEAM ANGLE	CRI >80	POWER FACTOR 0.8	CONSTANT CURRENT 150mA	72 x 72mm	73mm
										17844	17846

The ideal downlight for replacing existing fluorescent downlights, by providing a wide angled diffused beam, or used as accent lighting for stairs and hallways.

- 12 x SMD 2835 LED Chips provide high quality light output
- Diecast aluminium housing and heat sink, clear glass diffuser
- SAA approved non-dimmable LED driver with flex & plug
- Long lasting up to 20,000 hours, (limited by driver).
- 3 Year Warranty.



Code:	<b>17844/..</b>				
<b>05</b> WHITE	6 WATTS	400 LUMENS	52 lm/W		9 312641 178446 >
Code:	<b>17846/..</b>				
<b>05</b> WHITE	6 WATTS	400 LUMENS	52 lm/W		9 312641 178460 >