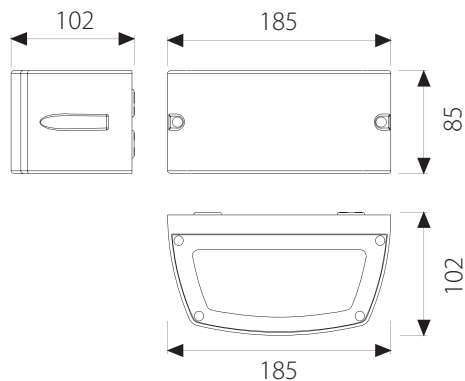


# BL-8071



### BL-8071.92X

Lamp: TC-D  
Power: 13W  
Base: G24 d-1

### BL-8071.14X

Lamp: QT14  
Power: 75W  
Base: G9

### BL-8071.76X





Lamp: QT-DE12  
Power: 60W  
Base: R7s-15

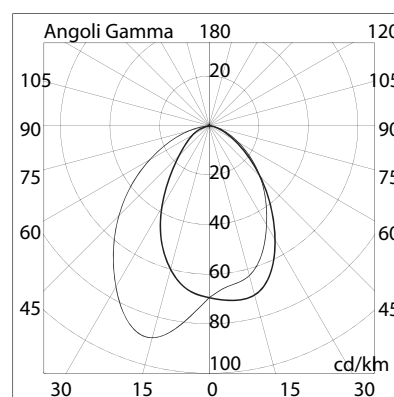
### BL-8071.88X

Lamp: 1 LED  
Power: 4.1W  
LED: 230lm 6300K

- Outdoor direct light wall luminaire
- Painted die-cast aluminium body
- Tempered glass and/or lens diffuser
- Aluminium reflector
- Silicon gaskets
- Stainless steel screws
- Painting using high resistance to UV and corrosion polyester powders

### Available Colours:

X=2  White X=9  Anthracite  
X=3  Black X=4  Silver



8071 92



**Domus Lighting**

29-31 Richland Street Kingsgrove NSW 2208

Phone: (02) 9554 9600 | Fax: (02) 9554 9433 | Email: sales@domuslighting.com