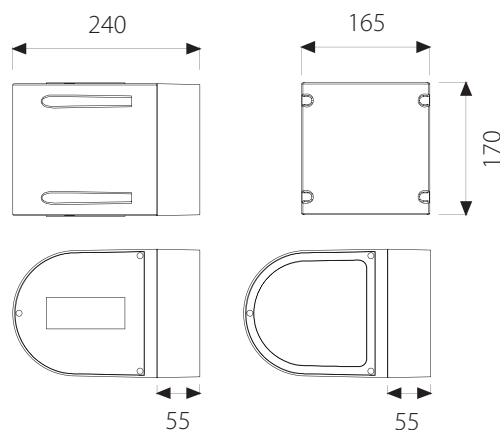


BL-8021.35X



BL-8021.35X

Lamp: HIT

Power: 35W

Base: G12

- Wall outdoor luminaire with various light band openings constructed
- Painted die-cast aluminium structure
- Tempered glasses or/and lenses
- Aluminium reflector
- Silicon gasket
- Stainless steel screws
- Painting using high resistance to UV and corrosion polyester powders

Available Colours:

X=2 White X=9 Anthracite

X=3 Black X=4 Silver



Domus Lighting

29-31 Richland Street Kingsgrove NSW 2208

Phone: (02) 9554 9600 | Fax: (02) 9554 9433 | Email: sales@domuslighting.com