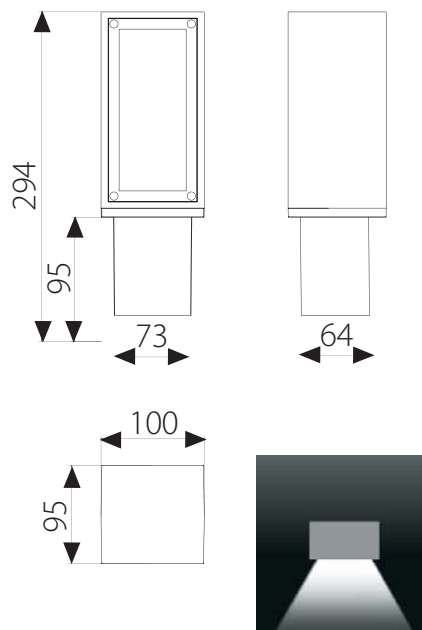
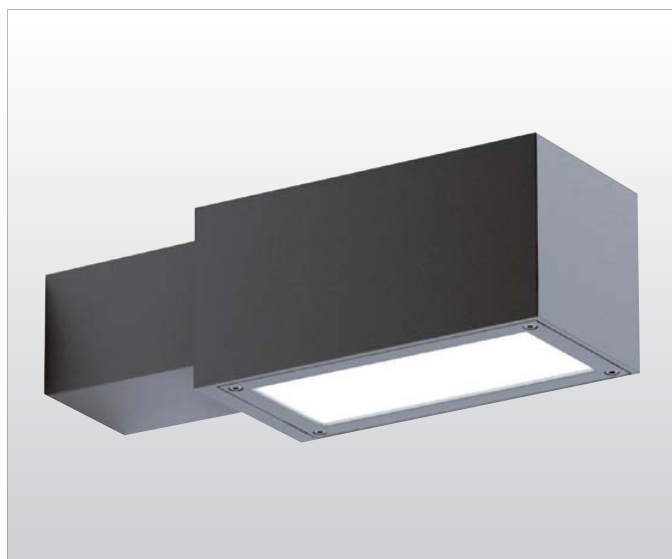


BL-7021

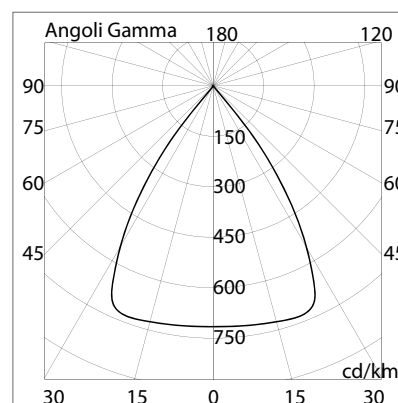


BL-7021.95X	BL-7021.85X	BL-7021.88X
Lamp: TC-DEL	Lamp: HIT-TC	Lamp: 2 LED
Power: 26W	Power: 20W	Power: 8.2W
Base: G24 q-3	Base: G8.5	Base: 460lm 6000K

Available Colours:

X=2		White	X=9		Anthracite
X=3		Black	X=4		Silver

- Wall or ground outdoor luminaire available with mono-direction or double-direction light
- Painted die-cast aluminium body
- Satin glass diffuser
- Aluminium reflector
- Silicon gaskets
- Stainless steel screws
- Painting using high resistance to UV and corrosion polyester powders



7021 85



Domus Lighting

29-31 Richland Street Kingsgrove NSW 2208

Phone: (02) 9554 9600 | Fax: (02) 9554 9433 | Email: sales@domuslighting.com