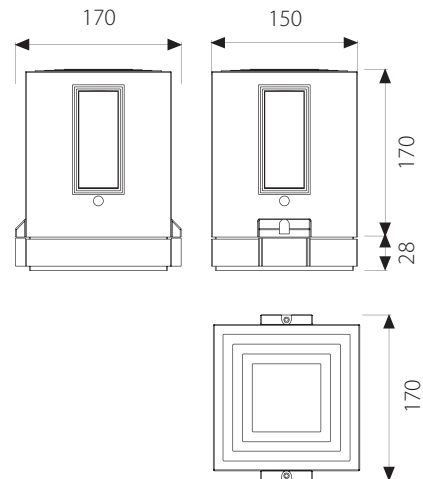
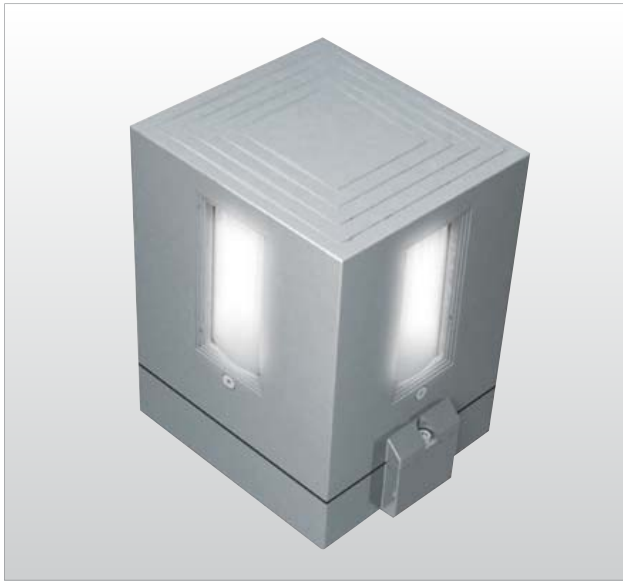


# BL-6048.10X



## BL-6048.10X

Lamp: QT32

Power: 100W

Base: E27

Beam: 4 x narrow beams

## Available Colours:

X=9  Anthracite

X=4  Silver

- Wall outdoor and indoor luminaire with various light beams
- Painted die-cast aluminium structure
- Tempered glasses or/and lenses
- Aluminium reflector
- Silicon gaskets
- Stainless steel screws
- Painting using high resistance to UV and corrosion polyester powders



**Domus Lighting**

29-31 Richland Street Kingsgrove NSW 2208

Phone: (02) 9554 9600 | Fax: (02) 9554 9433 | Email: sales@domuslighting.com



Quality  
ISO 9001  
SAI GLOBAL