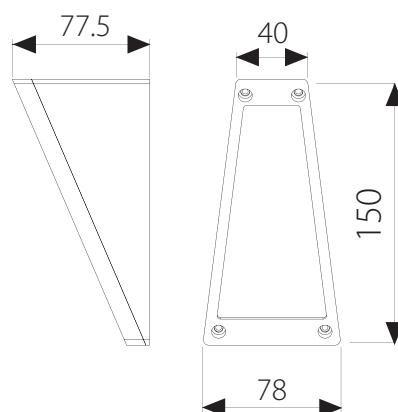


BL-6024



BL-6024.14X

Lamp: QT14
Power: 25W
Base: G9

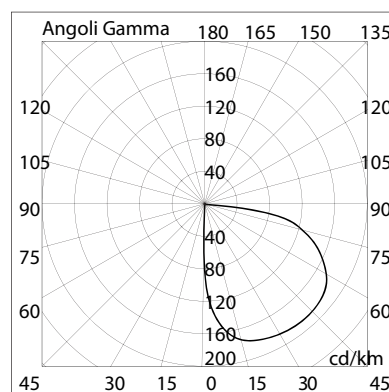
BL-6024.88X

Lamp: LED
Power: 4.1W 230lm 6300K
Base: G9

- Outdoor wall luminaire
- Painted die-cast aluminium body
- Tempered satin glass diffuser
- Aluminium reflector
- Silicon gaskets
- Stainless steelscrews
- Painting using high resistance to UV and corrosion polyester powders

Available Colours:

- X=2 White X=9 Anthracite
X=3 Black X=4 Silver



6024 14



Domus Lighting

29-31 Richland Street Kingsgrove NSW 2208

Phone: (02) 9554 9600 | Fax: (02) 9554 9433 | Email: sales@domuslighting.com