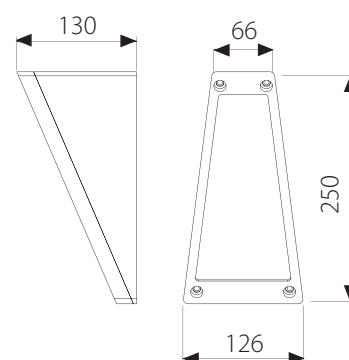
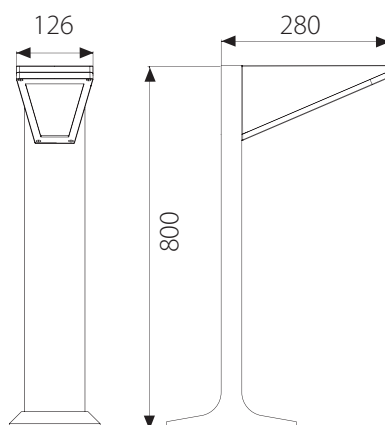


# BL-6021

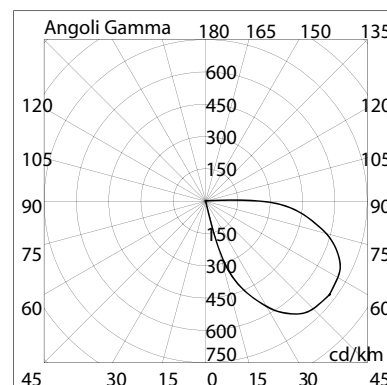


<b>BL-6021.95X</b>	<b>BL-6021.85X</b>	<b>BL-6021.88X</b>
Lamp: TC-DEL	Lamp: HIT-TC	Lamp: 3 x LED
Power: 26W	Power: 20W	Power: 12.3W
Base: G24 q-3	Base: G8.5	LED: 690lm 6300K

### Available Colours:

X=2		White	X=9		Anthracite
X=3		Black	X=4		Silver

- Outdoor wall luminaire
- Painted die-cast aluminium head
- Painted extruded aluminium post
- Tempered satin glass diffuser
- Aluminium reflector
- Silicon gaskets
- Stainless steelscrews
- Painting using high resistance to UV and corrosion polyester powders



6021 85



**Domus Lighting**

29-31 Richland Street Kingsgrove NSW 2208

Phone: (02) 9554 9600 | Fax: (02) 9554 9433 | Email: sales@domuslighting.com