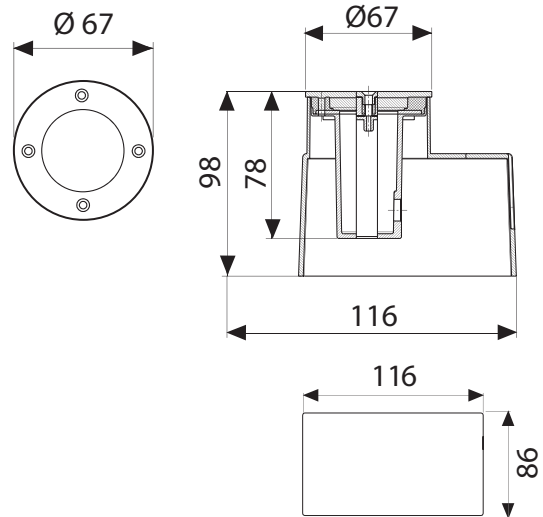


# BL-5094.530



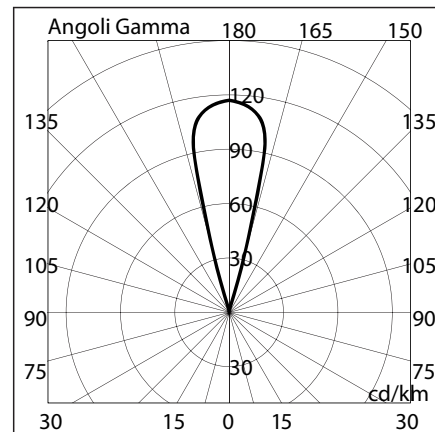
## BL-5094.530

Lamp: QR-CBC35

Power: 10W

Base: GU4

- Outdoor and indoor recessed ground
- Painted die-cast aluminium body
- Stainless steel AISI 316 ring
- Satin tempered glass diffuser
- Silicon gasket
- Stainless steel screws
- Technopolymer holder
- Painting using high resistance to UV and corrosion polyester powders



5094 53



**Domus Lighting**

29-31 Richland Street Kingsgrove NSW 2208

Phone: (02) 9554 9600 | Fax: (02) 9554 9433 | Email: sales@domuslighting.com