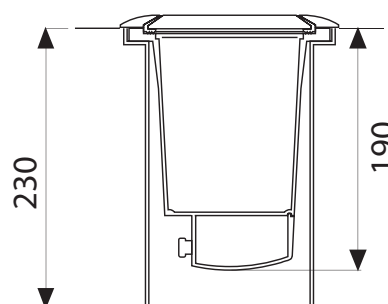
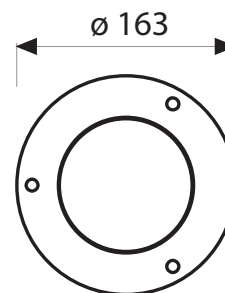


BL-5090



BL-5090.00X

Lamp: Q PAR20
Power: 50W
Base: E27

BL-5090.15X

Lamp: Q PAR16
Power: 40W
Base: E14

BL-5090.88X

Lamp: 1 x White LED
Power: 4.1W
LED: 230lm 6300K

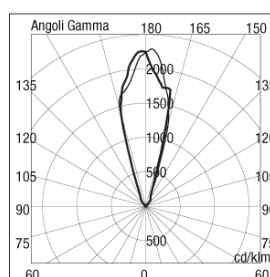
BL-5090.66X

Lamp: 3 x White LED
Power: 9W
LED: 500lm 6300K

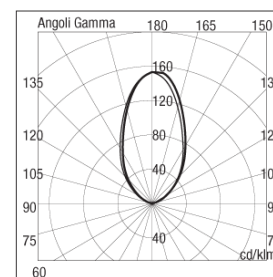
Colours

X=3 Black X=4 Silver
X=9 Anthracite

- Outdoor recessed ground luminaire
- Painted die-cast aluminium structure
- Die-cast aluminium ring
- Transparent glass diffuser
- Aluminium reflector
- Silicon gaskets
- Stainless steel screws
- Technopolymer holder
- Painting using high resistance to UV and corrosion polyester powders



5090 00



5090 15

