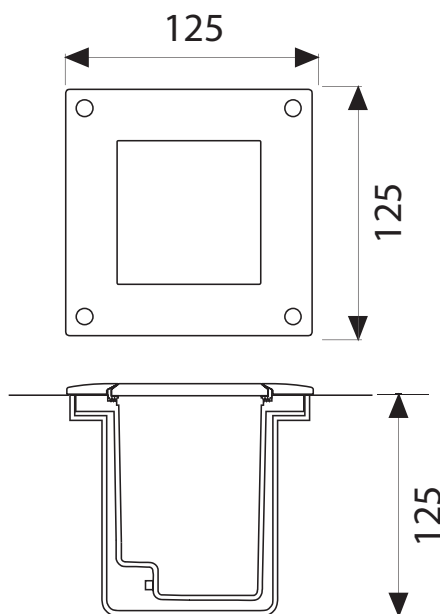


# BL-5072



**BL-5072.140**

Lamp: QT14  
Power: 40W  
Base: G9

**BL-5072.150**

Lamp: Q PAR16  
Power: 35W  
Base: GU10

**BL-5072.600**

Lamp: T2  
Power: 6W  
Base: Gx53

**BL-5072.680**

Lamp: 60 x White LED  
Power: 4W  
Base: Gx53  
LED: 260lm 4000K

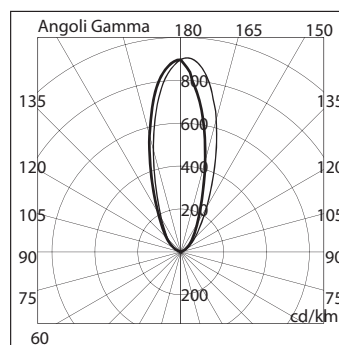
**BL-5072.680**

Lamp: 1 x White LED  
Power: 4.1W  
Base: 230lm 6300K

**Available Colours:**

X=2 White X=4 Silver  
X=3 Black X=9 Anthracite

- Outdoor and indoor wall and recessed ground luminaire
- Painted die-cast aluminium structure
- Stainless steel AISI 316 cover
- Satin glass diffuser
- Aluminium reflector
- Silicon gaskets
- Stainless steel screws
- Technopolymer holder
- Painting using high resistance to UV and corrosion polyester powders



5072 15

